

The type ZQD is an aluminum single ended beam. Ideal for use in floor scales, Bench Scales, tank and hopper weigh systems and conveyor scales.



**FEATURES**

- Capacities from 10kg to 100kg.
- Aluminum construction.
- Environmental protection IP67.
- AD conversion rate up to 1200upd./sec.

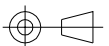
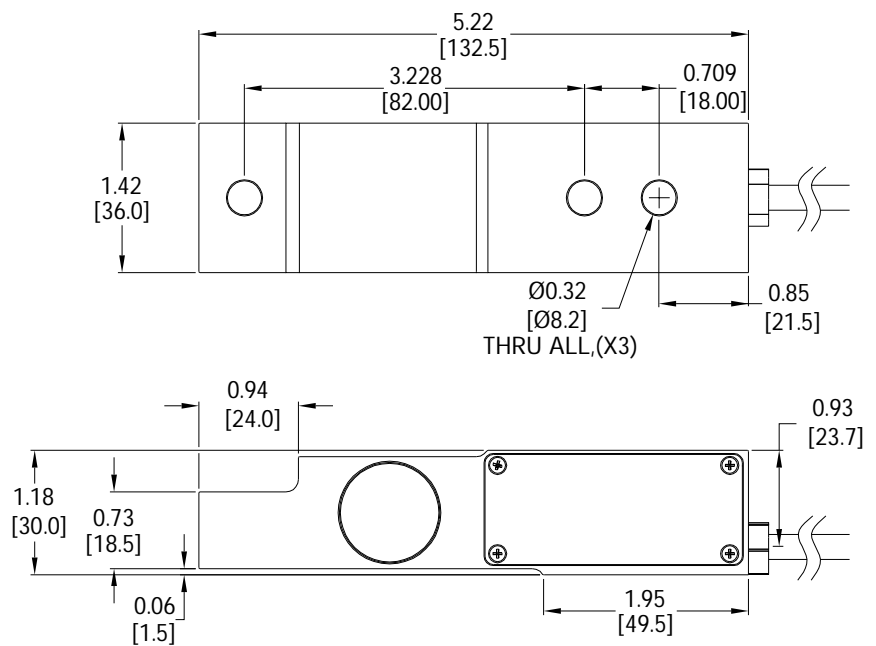
**APPLICATIONS**

- Floor scales, Bench Scales, tank and hopper weigh systems and conveyor scales.

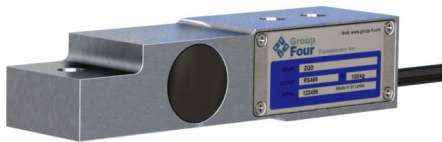
**OPTIONS**

- Load cells can be supplied with calibration certificates as per ASTM E74.

**OUTLINE DIMENSIONS**



# digital single ended beam ZQD 4089D



## WIRING

Cable wire color	RS-485+RS-422
Black	GND
Green	Rx+
White	Rx-
Red	PWR+
Blue	Tx+
Brown	Tx-

Cable : 24 AWG, 6 Conductor, black, foil shielded PVC matt cable.

## SPECIFICATIONS

Model	ZQD	
Capacities (E <sub>max</sub> )	kg	10/ 100
<b>PERFORMANCES</b>		
Accuracy class according to the OIML R60	C3	
Combined Error	%FS	≤±0.02
Creep @ 30min	%FS	≤±0.02
Zero Balance, raw counts	increments	±2000
Output resolution at full load, raw counts	increments	512000
Internal AD conversion rate	upd./sec	1200
Fix, Digital Low Pass IIR Filter, Default	Hz	18 (Supress 50Hz and 60Hz Influence)
Adjustable , Digital Low Pass IIR Filter	Hz	18-0.25; Selectable in 8 Steps
Adjustable , Digital Low Pass FIR Filter	Hz	40-5; Selectable in 8 Steps
Adjustable, External Output Update Rate	upd./sec	1200-9; Selectable in 8 Steps
<b>GENERAL I/O's</b>		
Hardware Interface, RS Version	RS485 with four wires	
Data transm. rates RS485	kb	9.6;19.2;38.4;57.6;115.2;230.4;460.8
Protocol RS485	ASCII or Modbus RTU	
Logical Input, Programmable	Trigger Level 2-30Vdc,<3mA,Ref to Gnd.	
Power supply	VDC	10-30 ≤ 0.4 Watt
<b>INFLUENCES</b>		
Safe Load Limit	%* E <sub>max</sub>	150
Ultimate Load	%* E <sub>max</sub>	300
Temperature Effect on Zero	%FS/10°C	0.04
Temperature Effect on Span	%FS/10°C	0.04
Temperature Range	°C	Operating: -10/+40 Storage: -40/+70
EMC performance	MID Class E2 (Industrial Locations)	
I/O Protection	Reversed Polarity; Excess Voltage and Surge	
Isolation Body/ Electronics at 500VDC	GΩ	≥1
Vibration	2.5G Operational; 5G Non-Operational	
Cable length	m	3 +0.05/ -0
Environmental Protection	IP67	
Corrosion Resistance	Anodized Aluminum	

## PART NUMBERS

Capacity(kg)	Part No.
100	4089D-000-00

Dimensions and specifications subject to change without notice



**Pioneering Measured Solutions**

**Group Four Transducers**

22 Deer Park Drive,  
E. Longmeadow, MA 01028  
www.groupfourtransducers.com

Phone : (800) 419 1444  
Fax : (413) 525 -6182  
sales@group-4.com