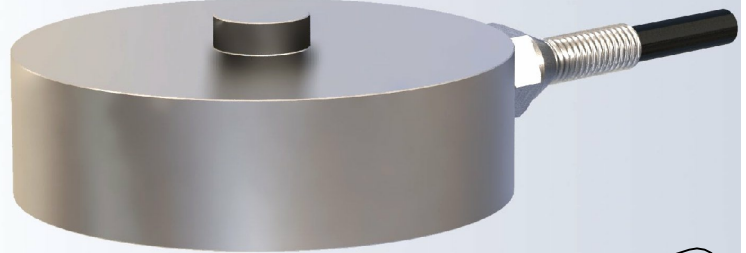


The type 5012 is a steel compression load cell for force and weight measurement.



### FEATURES

- Capacities from 100kg to 30000kg.
- Alloy steel construction.
- Environmental Protection IP67.

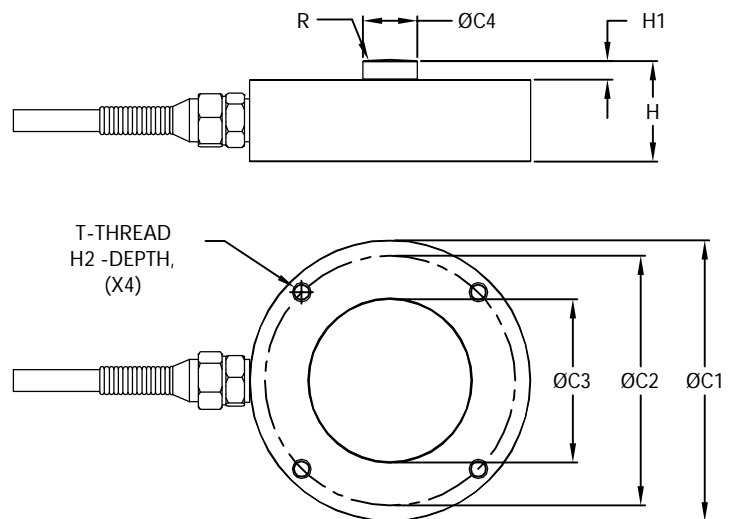
### APPLICATIONS

- Force and weight measurement.

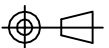
### OPTIONS

- Service temperature range up to 120°C.
- 6 wire circuit.
- Lightning protection.
- Stainless steel (rated capacity 100kg).
- Environmental Protection IP68.

### OUTLINE DIMENSIONS

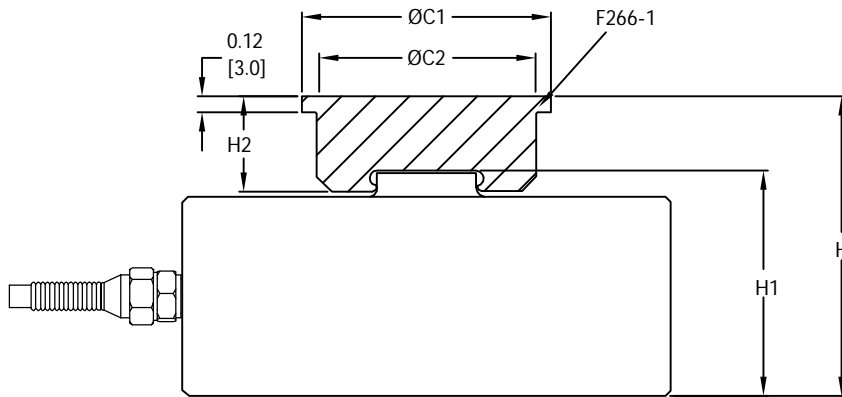


Capacity(kg)	C1	C2	C3	C4	H	H1	H2	R	T
100-2000	2.44 [62.0]	2.17 [55.0]	1.42 [36.0]	0.47 [12.0]	0.87 [22.0]	0.16 [4.0]	0.28 [7.0]	1.97 [50.0]	M5
5000	3.86 [98.0]	2.83 [72.0]	2.46 [62.4]	0.79 [20.0]	1.57 [40.0]	0.20 [5.0]	0.51 [13.0]	5.91 [150.0]	M6
10000	3.86 [98.0]	2.83 [72.0]	2.46 [62.4]	0.79 [20.0]	1.77 [45.0]	0.20 [5.0]	0.51 [13.0]	5.91 [150.0]	M6
20000	4.65 [118.0]	3.54 [90.0]	2.46 [62.4]	0.98 [25.0]	1.97 [50.0]	0.28 [7.0]	0.59 [15.0]	9.84 [250.0]	M8
30000	5.43 [138.0]	4.53 [115.0]	2.46 [62.4]	0.98 [25.0]	2.87 [73.0]	0.31 [8.0]	0.59 [15.0]	9.84 [250.0]	M10



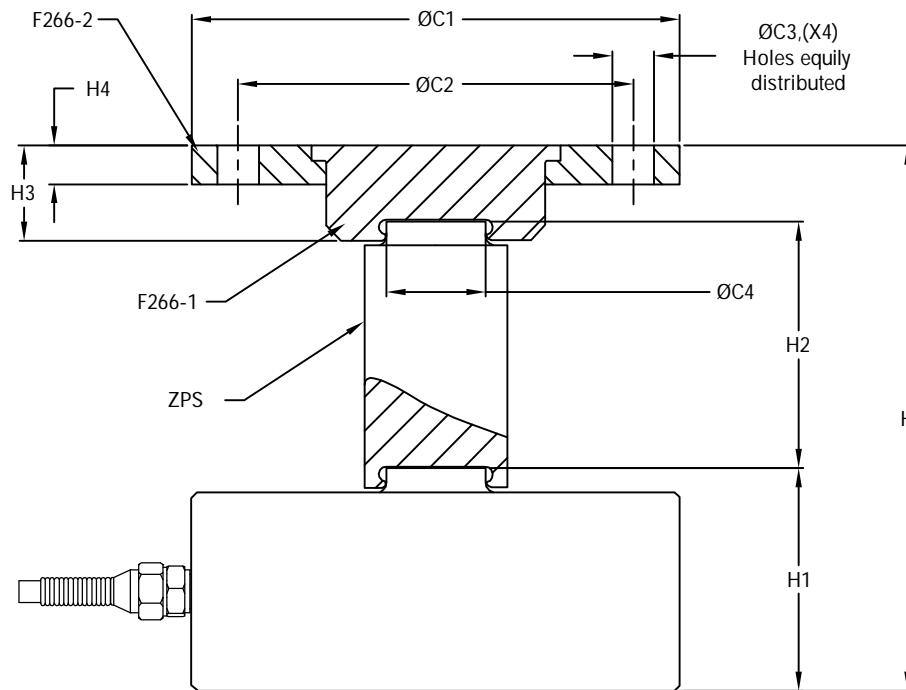
# canister 5012

F266-1 EASY TOP(Mounting Hardware for 5012 Load Cell) :



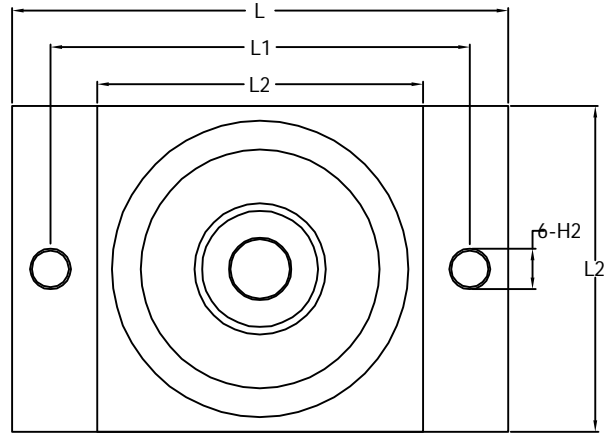
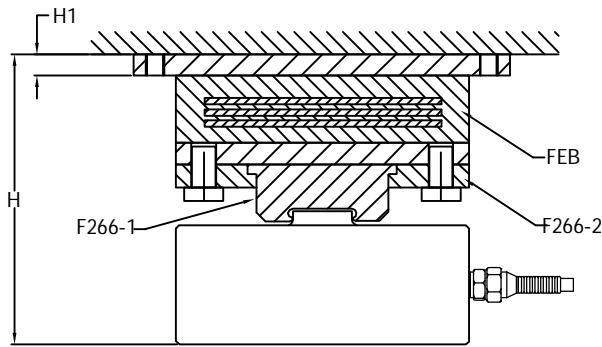
Capacity(kg)	C1	C2	H	H1	H2
500-2000	1.61 [41.0]	1.38 [35.0]	1.38 [35.1]	0.87 [22.0]	0.63 [16.0]
5000	1.93 [49.0]	1.69 [43.0]	2.17 [55.1]	1.57 [40.0]	0.75 [19.0]
10000	1.93 [49.0]	1.69 [43.0]	2.37 [60.1]	1.77 [45.0]	0.75 [19.0]
20000	2.36 [60.0]	2.13 [54.0]	2.76 [70.1]	1.97 [50.0]	0.94 [24.0]
30000	2.36 [60.0]	2.13 [54.0]	3.59 [91.3]	2.88 [73.0]	0.94 [24.0]

Spindle Bearing ZPS and Spindle Support F266 :



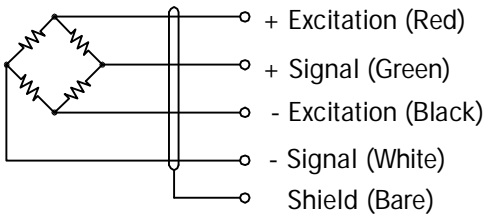
Capacity(kg)	C1	C2	C3	C4	H	H1	H2	H3	H4
500-2000	3.19 [81.0]	2.36 [60.0]	0.35 [9.0]	0.47 [12.0]	3.19 [81.1]	0.87 [22.0]	1.81 [46.0]	0.63 [16.0]	0.28 [7.0]
5000	3.82 [97.0]	2.83 [72.0]	0.35 [9.0]	0.79 [20.0]	4.37 [111.1]	1.57 [40.0]	2.20 [56.0]	0.75 [19.0]	0.35 [9.0]
10000	3.82 [97.0]	2.83 [72.0]	0.51 [13.0]	0.79 [20.0]	4.57 [116.1]	1.77 [45.0]	2.20 [56.0]	0.75 [19.0]	0.35 [9.0]
20000	4.53 [115.0]	3.54 [90.0]	0.51 [13.0]	0.79 [20.0]	5.30 [134.6]	2.05 [52.0]	2.54 [64.5]	0.94 [24.0]	0.39 [10.0]
30000	4.53 [115.0]	3.54 [90.0]	0.51 [13.0]	0.79 [20.0]	6.13 [155.8]	2.87 [73.0]	2.54 [64.5]	0.94 [24.0]	0.39 [10.0]

# canister 5012



Capacity(kg)	H	H1	H2	L	L1	L2
500-2000	3.19 [81.0]	0.31 [8.0]	0.35 [9.0]	4.72 [120.0]	3.94 [100.0]	2.36 [60.0]
5000	3.98 [101.0]	0.39 [10.0]	0.43 [11.0]	5.91 [150.0]	4.92 [125.0]	3.94 [100.0]
10000	4.53 [115.0]	0.47 [12.0]	0.51 [13.0]	7.48 [190.0]	6.50 [165.0]	5.51 [140.0]
20000	5.22 [132.5]	0.47 [12.0]	0.51 [13.0]	11.02 [280.0]	9.84 [250.0]	8.66 [220.0]
30000	6.04 [153.5]	0.47 [12.0]	0.51 [13.0]	11.02 [280.0]	9.84 [250.0]	8.66 [220.0]

## WIRING



Cable :  
 100-2000kg : Ø5.1 , 4 Conductor cable.  
 5000-30000kg : Ø6.1 , 4 Conductor cable.

## PART NUMBERS

Capacity (kg)	Part #
100	5012-000-00
500	5012-003-00
2000	5012-005-00
10000	5012-007-00
20000	5012-008-00
30000	5012-009-00

## SPECIFICATIONS

Model	5012		
Capacities	kg	100-2000	5000-30000
Full scale output (FS)	mV/V	2±1%	
Non-linearity	%FS	≤±0.6	≤±0.05
Hysteresis	%FS	≤±0.1	≤±0.03
Non- repeatability	%FS	≤±0.3	≤±0.1
Creep @ 30min	%FS	≤±0.1	≤±0.05
Zero balance	mV/V	±0.04	±0.05
Temperature range			
Operating	°C	-10... +40	
Bridge resistance	Ω	350±3	700±5
Excitation voltage	VDC	10... 15	
Insulation resistance @50V DC	MΩ	≥2000	
Safe overload limit	%FS	150	
Ultimate load	%FS	300	
Cable length	m	3	10
Seal type	IP67, Welded-seal		
Element material	Alloy steel		

Dimensions and specifications subject to change without notice