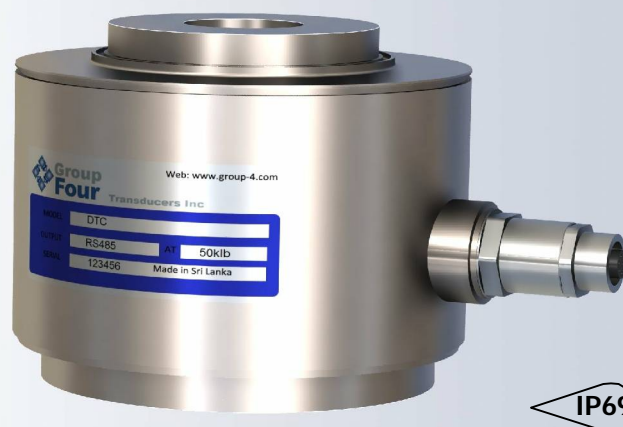


Digital column type load cell designed for tension and compression force testing applications.



FEATURES

- Capacity range 1k-50k.
- Stainless steel construction.
- Environmental protection IP69.
- AD conversion rate up to 1200upd./sec.
- Free software for simple load cell set up and operation.

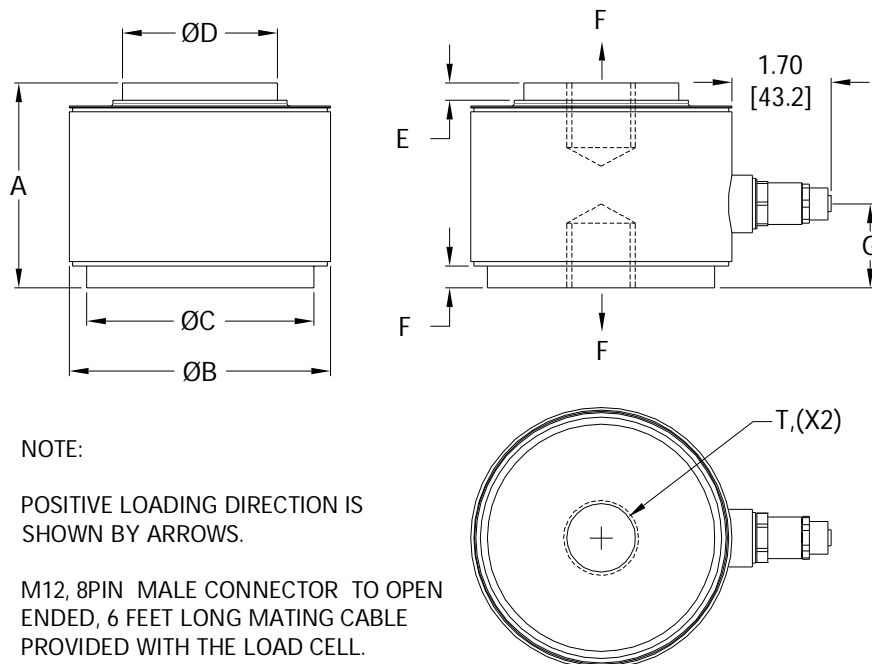
APPLICATIONS

- Aircraft weighing, Tank weighing, Truck scales, Digital force testers.

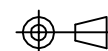
OPTIONS

- Load cells can be supplied with calibration certificates as per ASTM E74.

OUTLINE DIMENSIONS



Capacity (klb)	A	B	C	D	E	F	G	T
10	2.51 [63.8]	3.48 [88.4]	2.53 [64.3]	1.25 [31.8]	0.12 [3.0]	0.12 [3.0]	1.00 [25.4]	5/8-18UNF-3B, 1.12[28.4]DP.
50	3.50 [88.9]	4.46 [113.3]	3.89 [98.8]	2.65 [67.3]	0.30 [7.5]	0.37 [9.4]	1.43 [36.4]	1-1/4-12UNF-3B 1.40[35.5]DP.



column load cell

DTC

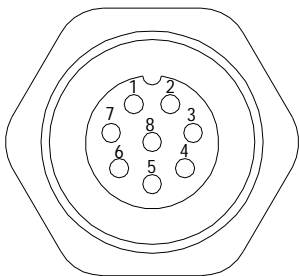
5043D



WIRING

Female Connector Signal Electronics M12AF0008		
Pin No.	RS-232+CAN	RS-485+RS-422
1	GND1	GND1
2	PROGRAM	PROGRAM
3	CANH	Rx+
4	TRIGGER INPUT	TRIGGER INPUT
5	CANL	Rx-
6	RxD	Tx-
7	TxD	Tx+
8	PWR+	PWR+

PIN CONFIGURATION



SPECIFICATIONS

Model	DTC	
Capacities (E_{max})	klb	10 50
PERFORMANCES		
Minimum Load Cell Verification Interval (V_{min})	g	$E_{max}/10000$
Combined Error	%FS	$\leq \pm 0.017$
Creep @ 30min	%FS	$\leq \pm 0.017$
Zero Balance, raw counts	increments	± 2000
Output resolution at full load, raw counts	increments	512000
Internal AD conversion rate	upd./sec	1200
Fix, Digital Low Pass IIR Filter, Default	Hz	18 (Suppress 50Hz and 60Hz Influence)
Adjustable, Digital Low Pass IIR Filter Adjustable, Digital Low Pass FIR Filter	Hz	18-0.25; Selectable in 8 Steps 40-5; Selectable in 8 Steps
Adjustable, External Output Update Rate	upd./sec	1200-9; Selectable in 8 Steps
GENERAL I/O's		
Hardware Interface, CAN Version Hardware Interface, RS Version	CAN and RS232 RS485 and RS422 (Both Four Wire)	
Data transmission rates CAN Data transm. rates RS485/RS422/ RS232	kb	125;250;500;1000 9.6;19.2;38.4;57.6;115.2;230.4;460.8
Protocol CAN Protocol RS485/ RS422/RS232	CAN Open ASCII or Modbus RTU	
Logical Input, Programmable	Trigger Level 2-30Vdc, <3mA, Ref to Gnd.	
Power supply	VDC	10-30 \leq 0.4 Watt
Connections	Standard 8 pin, female M12AF0008	
OPERATING SOFTWARE	Complete set-up, Calibration and load analysis program available	
INFLUENCES		
Safe Load Limit	%* E_{max}	140
Ultimate Load	%* E_{max}	150
Temperature Effect on Zero	%* $E_{max}/10^{\circ}C$	0.01
Temperature Effect on Span	%* $E_{max}/10^{\circ}C$	0.01
Temperature Range	$^{\circ}C$	Operating: -10/+40 Storage: -40/+70
I/O Protection, All Pins	Reversed Polarity; Excess Voltage and Surge	
Isolation Body/ Electronics at 500VDC	G Ω	≥ 1
Vibration	2.5G Operational; 5G Non-Operational	
Environmental Protection	Body IP69; Connectors IP68	
Corrosion Resistance	Stainless Steel	

PART NUMBERS

Capacity(klb)	Option	Part No.
10	RS-232+CAN	5043D-000-00
50	RS-232+CAN	5043D-001-00

Dimensions and specifications subject to change without notice



Pioneering Measured Solutions

Group Four Transducers

22 Deer Park Drive,
E. Longmeadow, MA 01028
www.groupfourtransducers.com

Phone : (800) 419 1444
Fax : (413) 525 -6182
sales@group-4.com