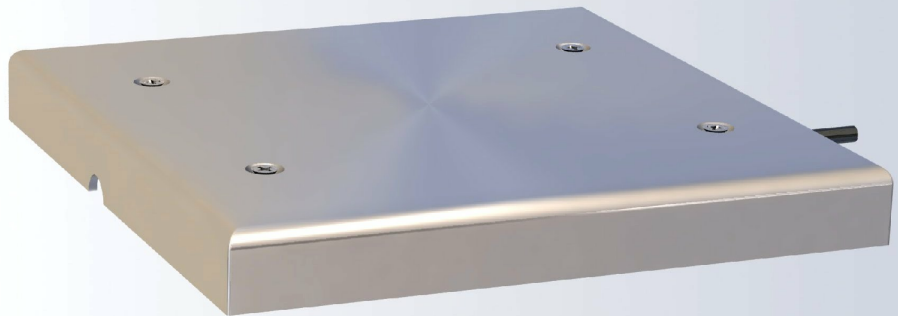


The type GBSA is a bench scale ideal for use in industrial weighing.



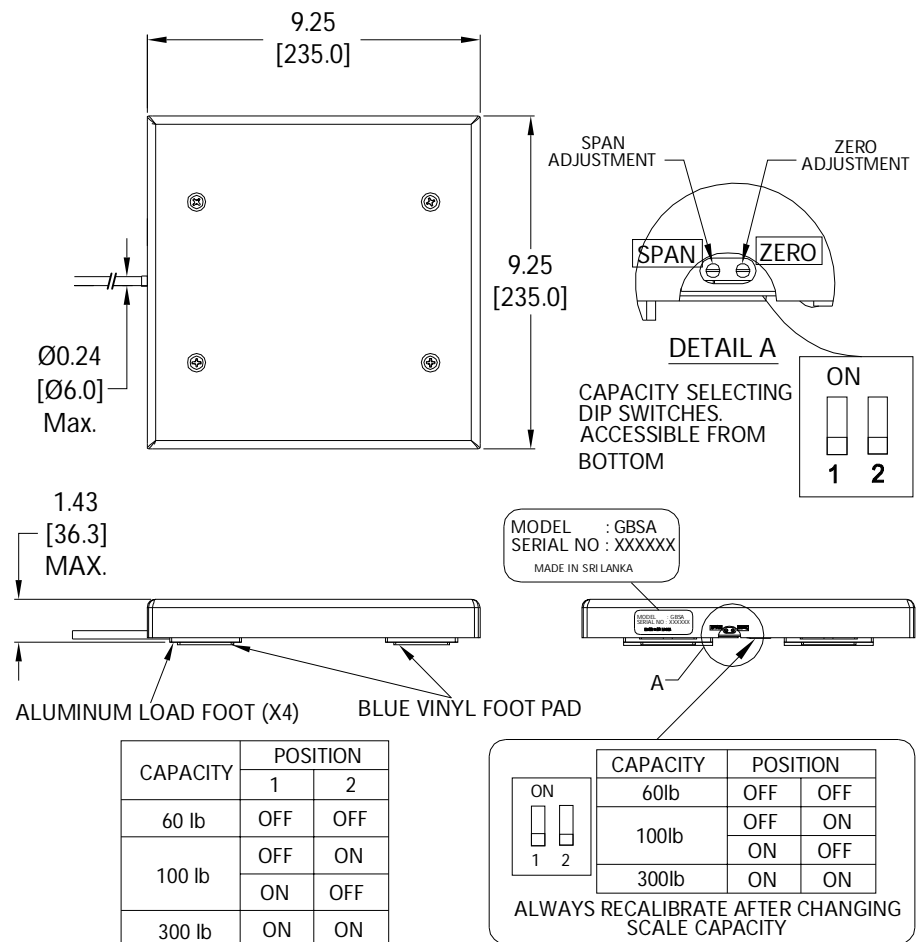
**FEATURES**

- Capacities 60/ 100/ 300lb.
- Stainless steel platform.
- Platform size 9.25in X 9.25in.
- Inbuilt overload protection.
- Switch selectable 4-20ma output

**APPLICATIONS**

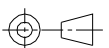
- Industrial Weighing.

**OUTLINE DIMENSIONS**

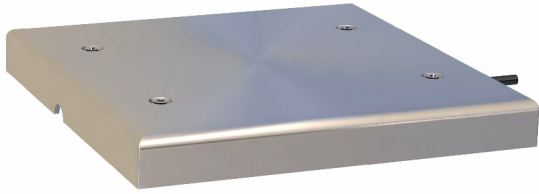


**NOTES:**

1. CAPACITY WILL BE SET AT PRODUCTION ACCORDING TO PURCHASE ORDER.
2. SCALE PLATFORM WILL BE ELECTRICALLY CONNECTED TO THE SHIELD AND DRAIN.
3. OVERLOAD PROTECTION WILL BE ADJUSTED TO WITHSTAND, 150% OF FULL-SCALE CAPACITY DROPPED FROM A HEIGHT OF 300 mm (1ft).
4. SCALE OUTPUT IS 20 ± 0.1 mA FOR 300lbs MASS



scale  
**GBSA**



**SPECIFICATIONS**

Model	GBSA		
Capacities	lb	60/ 100/ 300	
Full Scale Output (FS)	mA	20±0.1	
Non- Repeatability	%FS	≤±0.1	
Creep @ 30min, for 30days	%FS	≤±0.017, ≤±0.25	
Zero Balance	mA	4±0.1	
Temperature Effect			
	Output	%FS/10°C	≤±0.2
	Zero	%FS/10°C	≤±0.2
Temperature Range			
	Operating	°C	-10 ... +65
Operating Humidity		%RH	0-95
Excitation Voltage		VDC	12 ... 25
Safe Overload Limit		%FS	150
Cable type		24AWG, 2 Conductor cable with shield and drain.	
Cable Length		ft	See table

**PART NUMBERS**

Cable length(ft)	Part #
10 +0.02/-0.00	GBSA-60-300-2

Dimensions and specifications subject to change without notice