

The type 5013 is alloy steel compression load cell for force and weight measurement.



FEATURES

- Capacities from 1t to 100t.
- Alloy steel construction.
- Environmental Protection IP67.

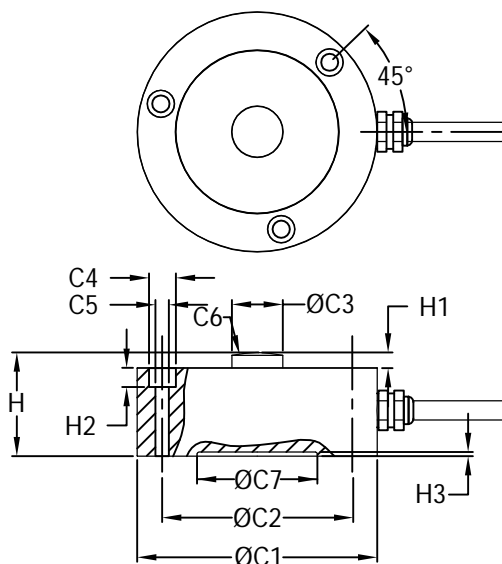
APPLICATIONS

- Force and weight measurement.

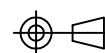
OPTIONS

- Service temperature range up to 120°C.
- 6 wire circuit.
- Stainless steel version.

OUTLINE DIMENSIONS



Capacity (t)	C1	C2	C3	C4	C5	C6	C7	H	H1	H2	H3
5	2.36 [60.0]	2.05 [52.0]	0.37 [9.5]	0.24 [6.0]	0.13 [3.2]	1.18 [30.0]	1.65 [42.0]	0.94 [24.0]	0.16 [4.0]	0.11 [3.0]	0.03 [0.8]
10	2.50 [63.6]	2.17 [55.0]	0.53 [13.5]	0.28 [7.2]	0.17 [4.2]	3.94 [100.0]	1.73 [44.0]	1.02 [26.0]	0.16 [4.0]	0.20 [5.0]	0.03 [0.8]
25	2.99 [75.9]	2.60 [66.0]	0.80 [20.3]	0.28 [7.0]	0.19 [4.8]	5.91 [150.0]	2.13 [54.0]	1.50 [38.1]	0.18 [4.6]	0.20 [5.0]	0.04 [1.0]
50	4.13 [105.0]	3.54 [90.0]	1.18 [30.0]	0.43 [11.0]	0.28 [6.5]	9.84 [250.0]	2.99 [76.0]	2.09 [53.0]	0.28 [7.0]	0.28 [7.0]	0.04 [1.0]
100	4.84 [123.0]	3.86 [98.0]	1.69 [43.0]	0.59 [15.0]	0.41 [10.5]	14.96 [380.0]	2.92 [74.0]	3.74 [95.0]	0.59 [15.0]	0.47 [12.0]	0.04 [1.0]



Group Four Transducers

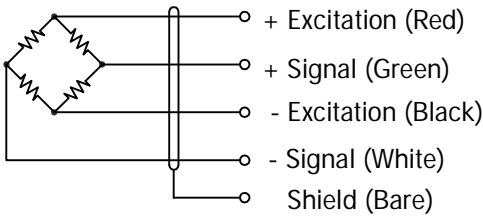
22 Deer Park Drive,
E. Longmeadow, MA 01028
www.groupfourtransducers.com

Phone : (800) 419 1444
Fax : (413) 525 -6182
sales@group-4.com

canisters and discs 5013



WIRING



Cable : Ø5.1mm 4 Conductor cable.

SPECIFICATIONS

Model	5013		
Capacities	t	5/ 10/ 25/ 50/ 100	
Full scale output (FS)	mV/V	2.5±10%	
Non-linearity	%FS	≤±0.32(Capacity≤50t) ≤±1 (Capacity≥100t)	
Hysteresis	%FS	≤±0.32(Capacity≤50t) ≤±2 (Capacity≥100t)	
Non- repeatability	%FS	≤±0.05(Capacity≤50t) ≤±0.2 (Capacity≥100t)	
Creep @ 30min	%FS	≤±0.1(Capacity≤50t) ≤±0.1(Capacity≥100t)	
Zero balance	mV/V	±0.02	
Temperature range			
	Compensated	°C	-10... +50
Terminal resistance			
	Input resistance	Ω	400±20
	Output resistance	Ω	350±3
Excitation voltage	V (DC/AC)	10... 15(Max.)	
Insulation resistance @50V DC	MΩ	≥2000	
Safe overload limit	%FS	150	
Ultimate load	%FS	300	
Cable length	m	6 (Capacity≤10t) 10(Capacity≥20t)	
Seal type	IP67		
Element material	Nickel plated alloy steel		

PART NUMBERS

Capacity (t)	Part#
5	5013-000-00
10	5013-001-00
25	5013-002-00
50	5013-003-00
100	5013-004-00

Dimensions and specifications subject to change without notice