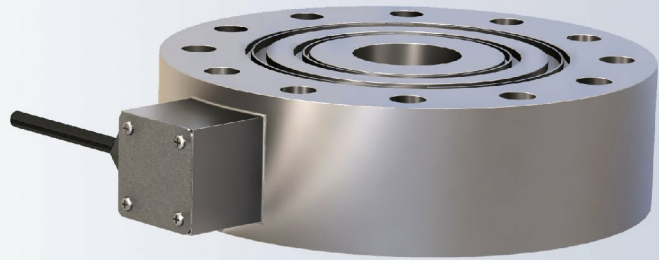


The type 5014 is a steel compression load cell for force and weight measurement.



FEATURES

- Capacities from 1t to 200t.
- Alloy steel construction.
- Environmental Protection IP67.

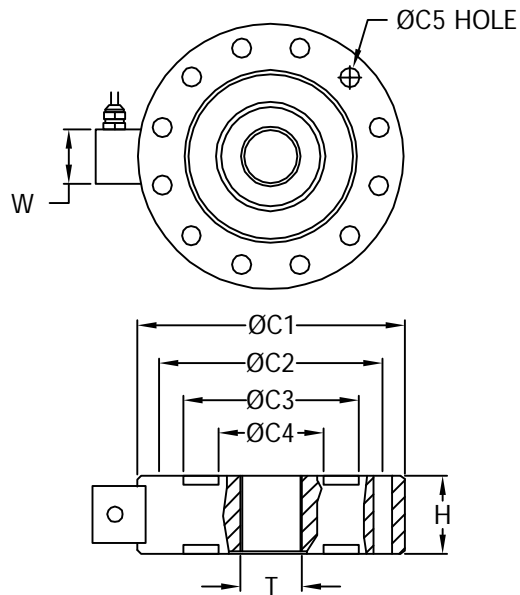
APPLICATIONS

- Force and weight measurement.

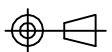
OPTIONS

- Service temperature range up to 120°C.
- 6 Wire circuit.
- Lightning protection.

OUTLINE DIMENSIONS



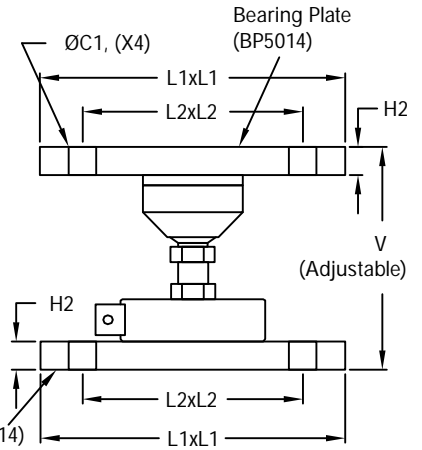
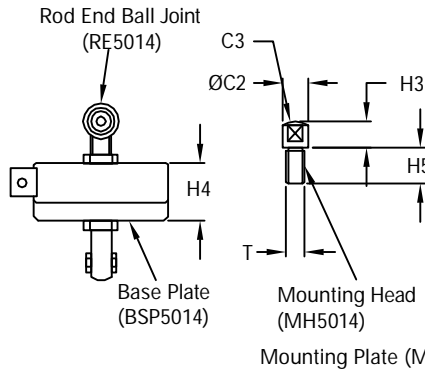
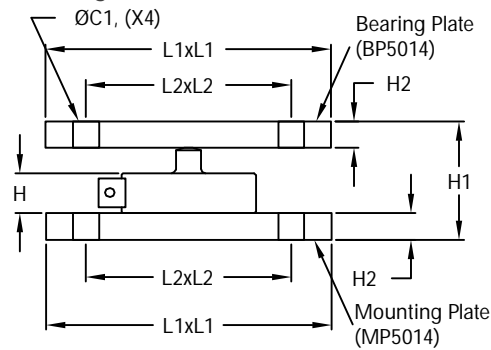
Capacity(t)	C1	C2	C3	C4	C5	H	W	T
1... 5	4.45 [113.0]	3.82 [97.0]	2.99 [76.0]	1.65 [42.0]	0.28[7.0], (X8)	1.38 [35.0]	1.26 [32.0]	M24x2
10... 20	6.10 [155.0]	5.12 [130.0]	3.98 [101.0]	2.40 [61.0]	0.43[11.0], (X12)	1.77 [45.0]	1.26 [32.0]	M36x2
30	7.09 [180.0]	5.91 [150.0]	4.72 [120.0]	3.15 [80.0]	0.51[13.0], (X12)	2.28 [58.0]	1.26 [32.0]	M42x2
50	8.07 [205.0]	6.50 [165.0]	4.72 [120.0]	3.15 [80.0]	0.51[13.0], (X16)	2.52 [64.0]	1.26 [32.0]	M42x2
100	11.02 [280.0]	8.98 [228.0]	6.93 [176.0]	4.88 [124.0]	0.67[17.0], (X16)	3.54 [90.0]	1.89 [48.0]	M70x3
200	11.65 [296.0]	10.08 [256.0]	8.54 [217.0]	5.47 [139.0]	0.87[22.0], (X16)	4.72 [120.0]	1.89 [48.0]	M90x3



canisters and disks

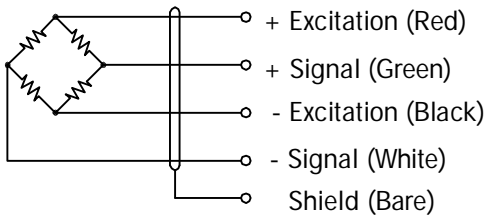
5014

Mounting Hardware for 5014 Load Cell :



Capacity(t)	C1	C2	C3	H	H1	H2	H3	H4	H5	L1	L2	T
1... 5	0.55[14.0]	1.06[27.0]	3.35[85.0]	1.38[35.0]	3.50[89.0]	0.91[23.0]	0.31[8.0]	2.52[64.0]	0.98[25.0]	5.91[150.0]	5.04[128.0]	M24x2
10... 20	0.71[18.0]	1.77[45.0]	5.91[150.0]	1.77[45.0]	4.84[123.0]	1.10[28.0]	0.87[22.0]	3.54[90.0]	1.50[38.0]	7.87[200.0]	5.51[140.0]	M36x2
30	0.71[18.0]	2.13[54.0]	7.09[180.0]	2.28[58.0]	6.14[156.0]	1.30[33.0]	1.26[32.0]	4.25[108.0]	1.89[48.0]	8.86[225.0]	6.69[170.0]	M42x2
50	0.71[18.0]	2.52[64.0]	7.87[200.0]	2.52[64.0]	7.17[182.0]	1.50[38.0]	1.65[42.0]	4.49[114.0]	2.13[54.0]	9.84[250.0]	7.87[200.0]	M42x2
100	0.71[18.0]	4.02[102.0]	11.81[300.0]	3.54[90.0]	9.37[238.0]	1.97[50.0]	1.89[48.0]	-	3.11[79.0]	12.80[325.0]	11.42[290.0]	M70x3
200	0.71[18.0]	5.35[136.0]	11.81[300.0]	4.72[120.0]	13.39[340.0]	3.15[80.0]	2.36[60.0]	-	3.11[79.0]	14.37[365.0]	12.99[330.0]	M90x3

WIRING



Cable : Ø6.1mm dia. 4 Conductor cable.

PART NUMBERS

Capacity (t)	Part#
1	5014-000-00
2	5014-001-00
3	5014-002-00
5	5014-003-00
10	5014-004-00
20	5014-005-00
30	5014-006-00
50	5014-007-00
100	5014-008-00
200	5014-010-00

SPECIFICATIONS

Model	5014		
Capacities	t	1/ 2/ 3/ 5	10/ 20/ 30/ 50/ 100/ 200
Full scale output (FS)	mV/V	2.0±1%	
Non-linearity	%FS	≤±0.05	≤±0.3
Hysteresis	%FS	≤±0.05	≤±0.3
Non- repeatability	%FS	≤±0.03	≤±0.2
Creep @ 30min	%FS	≤±0.05	≤±0.5
Zero balance	mV/V	+0.04	+0.04
Temperature range			
Operating	°C	-10... +40	
Bridge resistance	Ω	700±5	
Excitation voltage	V(DC/AC)	10... 15	
Insulation resistance @50V DC	MΩ	≥2000	
Safe overload limit	%FS	150	
Ultimate load	%FS	300	
Cable length	m	10	
Seal type	IP67		
Element material	Alloy steel		

Dimensions and specifications subject to change without notice



Pioneering Measured Solutions

Group Four Transducers

22 Deer Park Drive,
E. Longmeadow, MA 01028
www.groupfourtransducers.com

Phone : (800) 419 1444
Fax : (413) 525 -6182
sales@group-4.com