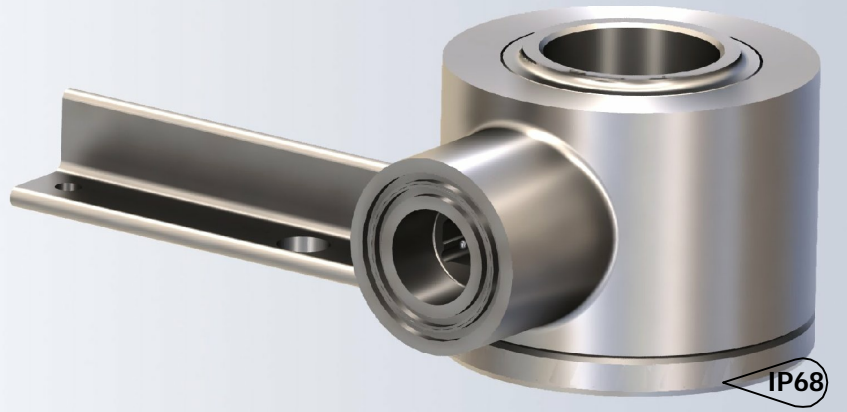


The type SSRLC is a stainless steel compression type load cell with complete hermetic sealing. It is a perfect fit for pump off control systems.



**FEATURES**

- Capacity of 30klb, 50klb.
- Stainless steel construction.
- Environmental Protection IP68 with complete hermetic sealing.

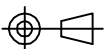
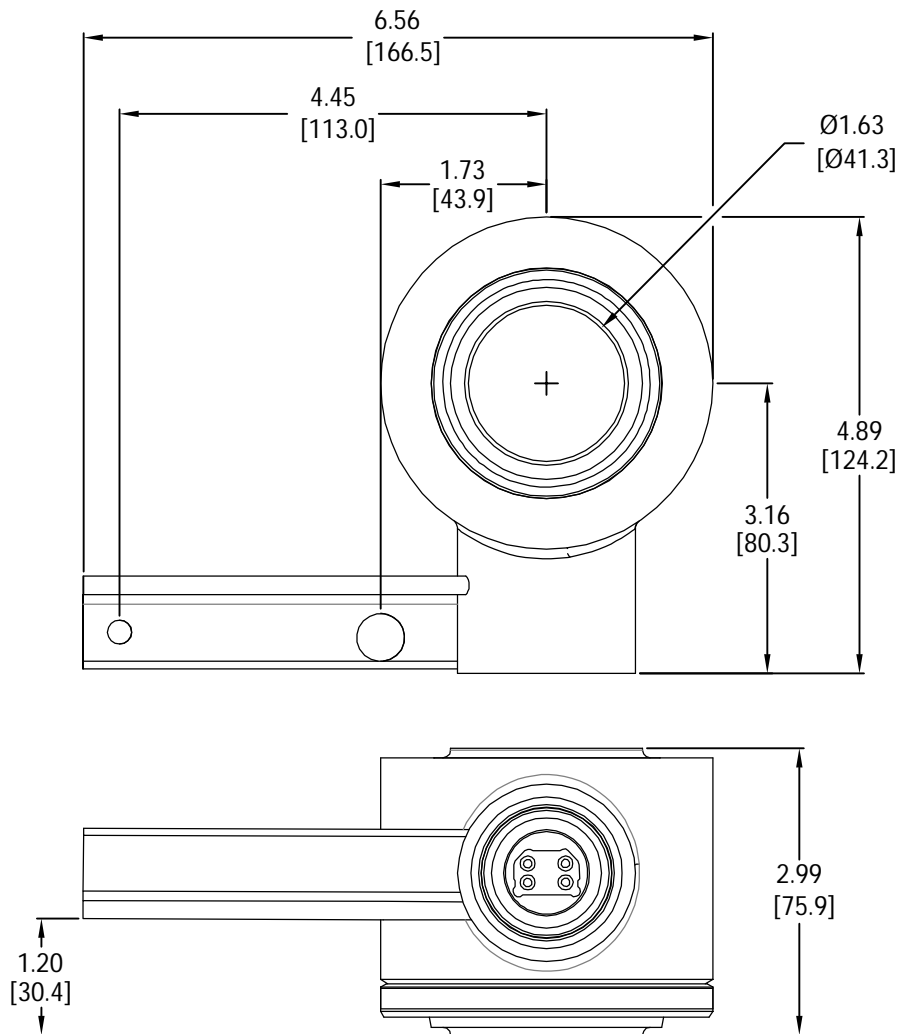
**APPLICATIONS**

- Pump off control systems.

**OPTIONS**

- Lightening protection.
- Spherical washer load introduction kit.

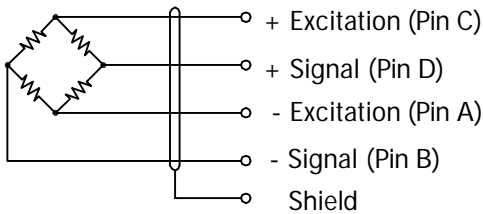
**OUTLINE DIMENSIONS**



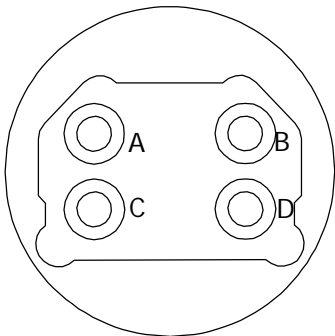
specialty sensors  
**SSRLC-SUCKER ROD LOAD CELL**  
**8027**



**WIRING**



Pin configuration :



Cable entry thread type : NPT-3/4  
 Connector : Molex model 1261

**SPECIFICATIONS**

Model	8027		
Capacities	klb	30/ 50	
Full scale output(FS)	mV/V	2.01+0.03	
Combined error	%FS	≤±0.5	
Zero Balance	%FS	≤±1	
Temperature effect			
	Output	%LOAD/°F	≤±0.002
	Zero	%FS/°F	≤±0.002
Temperature range			
	Compensated	°F	0... +150
	Operating	°F	-40... +180
Terminal resistance			
	Input resistance	Ω	700±25
	Output resistance	Ω	700±5
Excitation voltage	VDC	15	
Insulation resistance@50VDC	MΩ	≥5000	
Static overload capacity	%FS	150	
Seal type	IP68		
Element material	Stainless steel		

**PART NUMBERS**

Capacity(klb)	Part #
30	8027-000-00
50	8027-001-01

Dimensions and specifications subject to change without notice