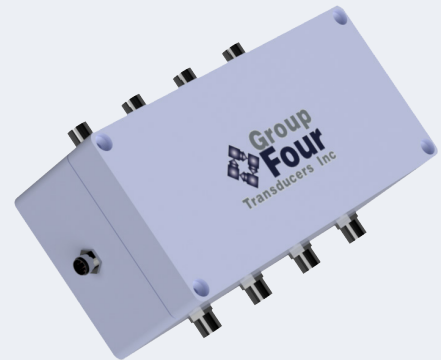


The Junction box JB8 is designed for the connections of up to 8 load cells in parallel. Material of construction is available in aluminum.



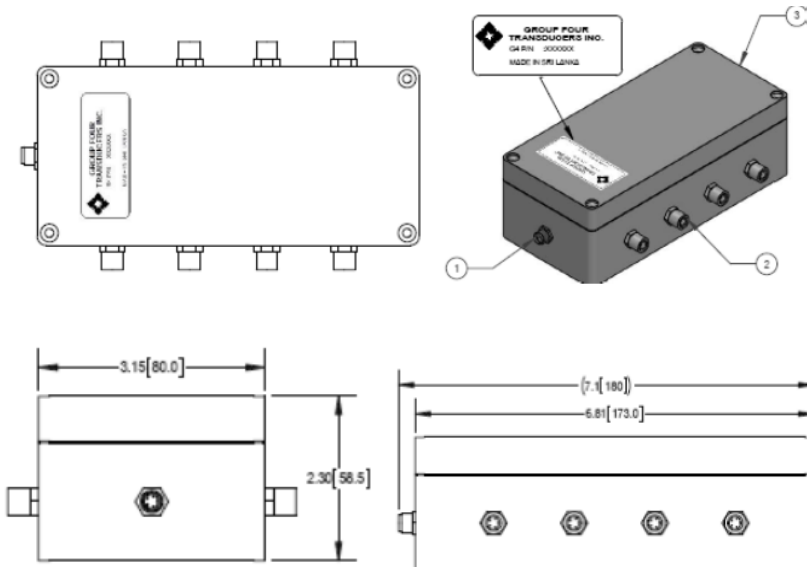
FEATURES

- Connection up to 8 load cells
- Robust enclosure with cable glands
- Sealed to IP67
- M8 5 pin male connector for output
- M8 5 pin female connector for load cell input

APPLICATIONS

- Multi load cell application
- Floor, tank, hopper scales

DIMENSIONS



Item No	QTY	Description
1	1	M8 5 pin male connector
2	8	M8 5 pin female connector
3	1	Aluminum enclosure box

SPECIFICATIONS

Model	JB8
Connectors	M8 5 pin male connector for output
	M8 5 pin female connector for load cell input
Trimming (optional)	Signal trim by resistors or potentiometers, both available
Temperature Range	-10... +60° C

PIN CONFIGURATIONS



M8, 5 PIN MALE CONNECTOR



M8, 5 PIN FEMALE CONNECTOR

PIN NUMBER	CONNECTION
1	EX+
2	SI+
3	SI-
4	EX-
5	SHIELD

PART NUMBERS

OPTION	PART NUMBER
GEN	JB-8-M8