

The type GSCHD is a tension compression digital s beam load cell. Its application ranges from force measurement, weight measurement to testing machines including material testing stands.



### FEATURES

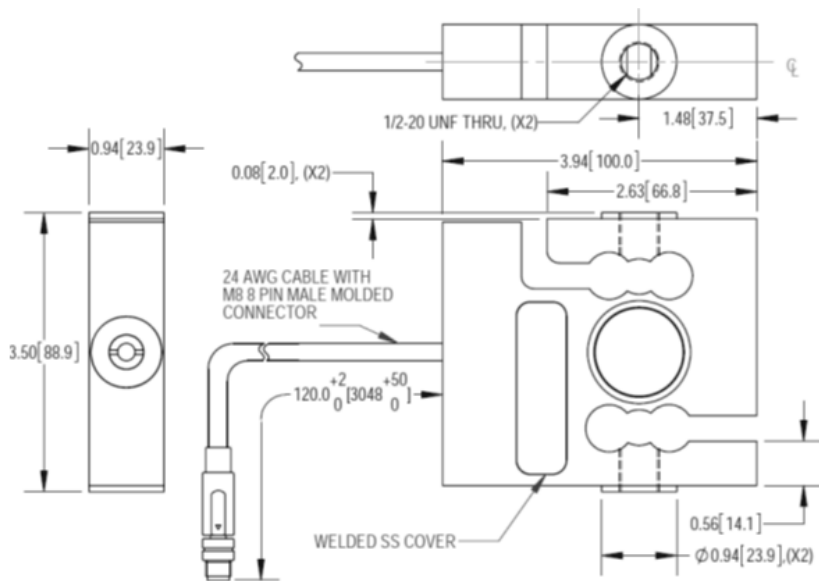
- Capacity: 50, 100, 250 & 500kgs
- Stainless steel construction
- Environmental protection IP69
- AD conversion rate up to 1200upd/sec
- Free PC based startup and evaluation software

### APPLICATIONS

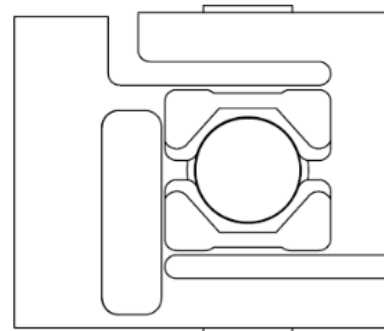
- Force measurement
- Material testing machines
- Cranes
- Lifts
- General tension applications

### OUTLINE DIMENSIONS

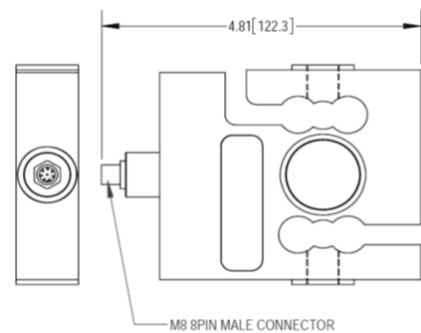
For 500kg  
M8 cable version



For 500kg  
M8 connector version



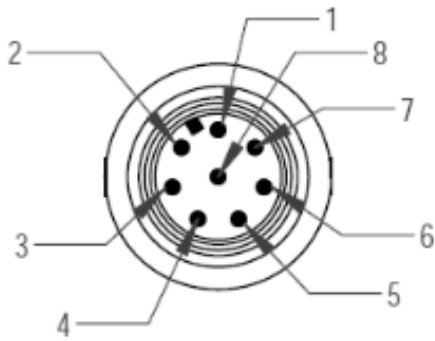
For 50-250kg



## SPECIFICATIONS

Model	GSCHD	
Capacity (E max)	kg	50, 100, 250, 500
<b>PERFORMANCES</b>		
Combined Error	%FS	< ±0.03
Creep Error (30 min)	%FS	<±0.03
Zero Balance, Raw Counts	Increments	±2000
Output resolution at full load, raw counts	Increments	512000
Internal AD conversion rate	upd./sec	1200
Fix, digital low pas IIR filter, default	Hz	18 (Suppress 50Hz and 60 Hz influence)
Adjustable, digital low pass IIR filter	Hz	18-0.25; selectable in 8 steps
Adjustable, digital low pass FIR filter		40-5, selectable in 8 steps
Adjustable, external output update rate	upd./sec	1200-9; selectable in 8 steps
<b>GENERAL I/O's</b>		
Hardware interface, CAN version		CAN and RS232
Hardware interface, RS version		RS485 and RS422 (both 4 wire)
Data transmission rate CAN	kb	125; 250; 500; 1000
Data transm, rates RS485/RS422/RS232		9.6; 19.2; 38.4; 57.6; 115.2; 230.4; 460.8
Protocol CAN		CANopen
Protocol RS485/RS422/RS232		ASCII or Modbus RTU
Logical input, programmable		Trigger level 2-30Vdc, <3mA, Ref to Gnd
Power supply	VDC	+10 -+30<0.4 Watt
<b>INFLUENCES</b>		
Safe load limit	%FS	150
Ultimate load	%FS	200
Temperature effect on zero	%FS/10°C	0.01
Temperature effect on span	%FS/10°C	0.01
Temperature range	°C	Operating: -10/+40
EMC performance		MID Class E2 (industrial locations)
I/O protection, all pins		Reversed polarity; excess voltage and surge
Isolation body/electronics at 500VDC	G	>1
Vibration		2.5G operational; 5G non-operational
Environmental protection per IEC 529		IP69
Corrosion resistance		Stainless Steel

## PIN CONFIGURATION



PIN NO	RS232+CAN	RS485+RS422	MATING CABLE COLOR CODE
1	GND1	GND1	WHITE
2	PROGRAM	PROGRAM	BROWN
3	CANH	Rx+	GREEN
4	TRIGGER INPUT	TRIGGER INPUT	YELLOW
5	CANL	Rx-	GRAY
6	RxD	Tx-	PINK
7	TxD	Tx+	BLUE
8	PWR+	PWR+	RED

## PART NUMBER

CAPACITY (kg)	OPTION	COMMUNICATION INTERFACE	TYPE	PART NUMBER
50	GEN-CA	RS-232+CAN	M8 CONNECTOR	3015D-001-04
	GEN-CB		M8 CABLE	3015D-001-05
	A-CA	RS485+RS422	M8 CONNECTOR	3015D-001-06
	A-CB		M8 CABLE	3015D-001-07
100	GEN-CA	RS-232+CAN	M8 CONNECTOR	3105D-002-04
	GEN-CB		M8 CABLE	3105D-002-05
	A-CA	RS485+RS422	M8 CONNECTOR	3105D-002-06
	A-CB		M8 CABLE	3105D-002-07
250	GEN-CA	RS-232+CAN	M8 CONNECTOR	3105D-003-04
	GEN-CB		M8 CABLE	3105D-003-05
	A-CA	RS485+RS422	M8 CONNECTOR	3105D-003-06
	CB-A		M8 CABLE	3105D-003-07
500	GEN-CA	RS-232+CAN	M8 CONNECTOR	3015D-000-04
	GEN-CB		M8 CABLE	3015D-000-05
	A-CA	RS485+RS422	M8 CONNECTOR	3015D-000-01
	CB-A		M8 CABLE	3015D-000-03