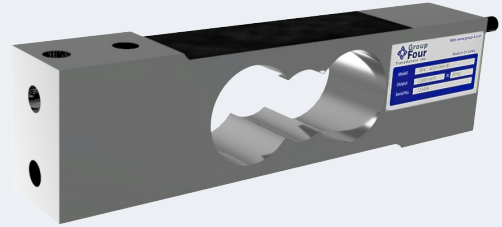


The SP4 (4020) is a single point SS load cell. Its application ranges from force measurement, weight measurement, Platform scales, Batching plants and Industrial applications.



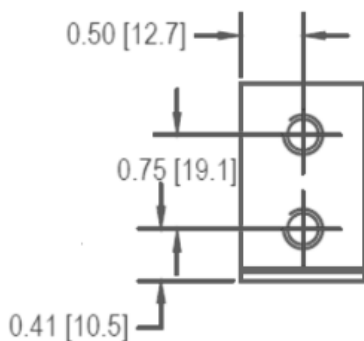
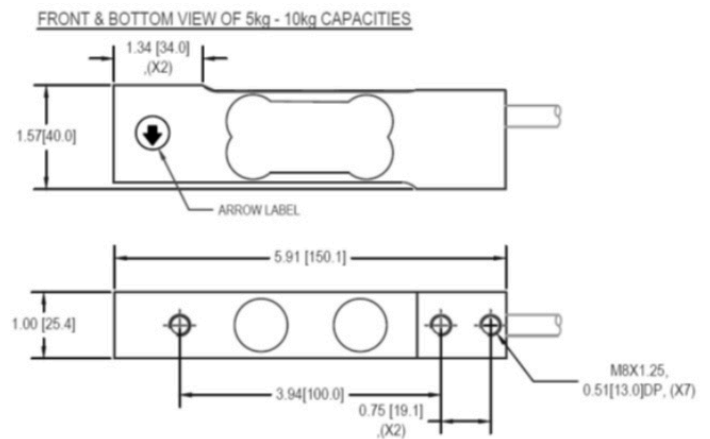
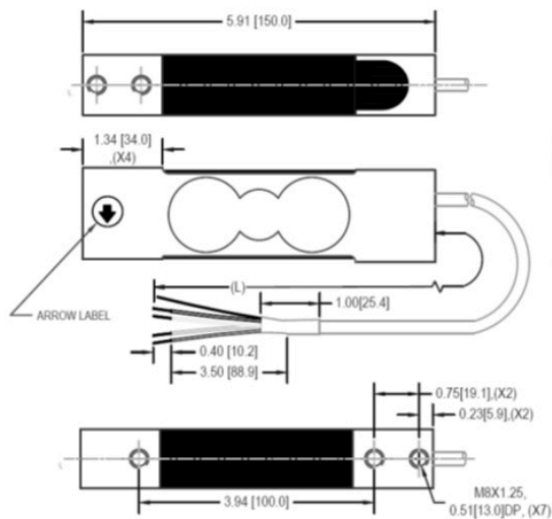
FEATURES

- Capacity: 5, 10, 15, 20, 30, 50, 75, & 100 Kgs
- Stainless steel construction
- Environmental protection IP67
- Maximum platform size 400x400 mm
- High natural frequency

APPLICATIONS

- Force Measurement
- Platform Scales
- Retail scales
- Bench scales
- Batching plants
- Industrial applications
- Weighbridges

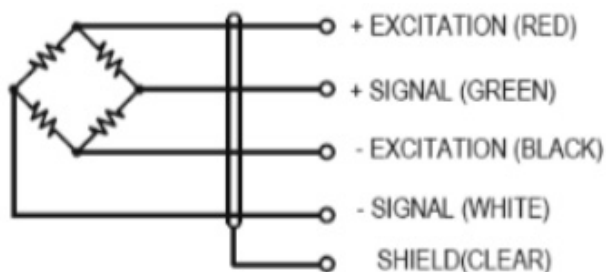
OUTLINE DIMENSIONS



SPECIFICATIONS

Model	SP4	
Capacities	kg	5/10/15/20/30/50/75/100
Full scale output (fs)	mV/V	2.0±0.002
Combined error	%FS	<±0.03
Creep @30min	%FS	<±0.03
Zero balance	%FS	<±5
OCLS		
Max platform size	mm	300x300 for (5-35) kg / 400x400 for (40-100)kg
Max off center distance	mm	150
OCLS error	%FS	<±0.066
Temperature range compensated	°C	-10... +40
Temperature range operating	°C	-20.. +65
Temperature resistance input		400±30
Temperature resistance output		350±5
Excitation voltage	VDC	5-15
Insulation resistance @50VDC	M	>5000
Maximum overload	%FS	150
Without mechanical stop	%FS	300
Cable length	m	3 ^{+0.05} ₋₀
Cable type		24 AWG 4 conductor shielded black cable
Maximum safe moment	kg.cm	30X rated capacity
Seal type		IP67

WIRING GRAPHIC



PART NUMBER

Capacity (kg)	Defelction (mm)	Part Number
5	xxx	4020-000-00
10	0.54	4020-001-00
15	0.59	4020-002-00
20	0.53	4020-003-00
30	0.49	4020-004-00
50	0.44	4020-005-00
75	0.40	4020-006-00
100	0.37	4020-007-00