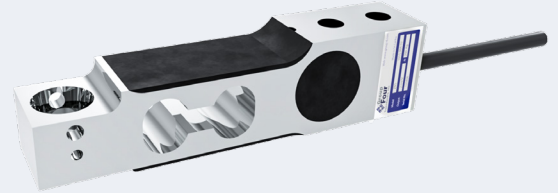


The ZNS is a stainless steel single ended shear beam load cell ideal for use in floor scales, bench scales, tank weighing, hopper weighing and conveyor scales.



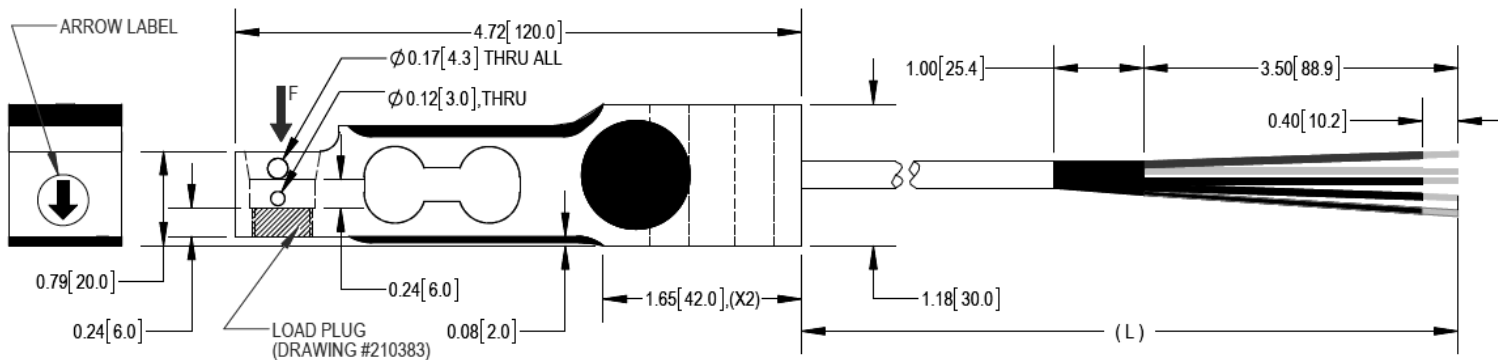
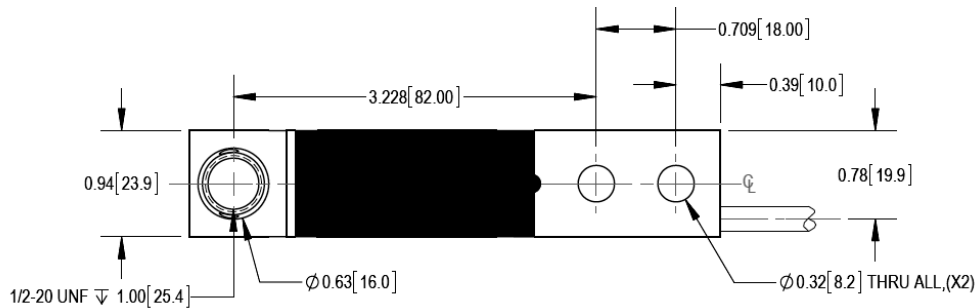
FEATURES

- Capacities 10kg to 200kg
- Environmental protection IP67
- Stainless steel construction
- Industry standard mounting dimensions

APPLICATIONS

- Floor scales
- Bench scales
- Tank weighing
- Hopper weighing
- Conveyor scales

OUTLINE DIMENSIONS



SPECIFICATIONS

Model	ZNS	
Capacity	kg	10, 20, 50, 100, 200
Full Scale Output (FS)	mV/V	200±0.1%
Calibration in mV/V/ Ω	%	≤±0.05
Non-Linearity	%FS	≤±0.03
Hysteresis	%FS	≤±0.03
Creep @30min	%FS	≤±0.03
Zero Balance	%FS	≤±5
Terminal Resistance		
Input	Ω	410±30
Output	Ω	350±5
Temperature Range		
Compensated	°C	-10...+40
Operating	°C	-20..+65
Temperature Effect		
Output	%FS/10°C	≤±0.04
Zero	%FS/10°C	≤±0.04
Excitation Voltage	VDC	5...15
Insulation Resistance @50VDC	M Ω	≥5000
Safe Overload Limit	%FS	150
Ultimate Load	%FS	200
Cable Length (L)	M	3 ^{+0.05} ₋₀
Cable Type	24 AWG6 Conductor Black Cable	
Seal Type	IP67	
Element Material	Stainless Steel	

WIRING GRAPHIC

Cable Wire Color	Connection	Remarks
Red	+ Excitation	Load Cell
Black	- Excitation	
White	- Signal	
Green	+ Signal	
Blue	Data I/O	Eeprom

PART NUMBER

Capacity (kg)	Group Four Part Number
10	1055-000-00
20	1055-001-00
50	1055-002-00
100	1055-003-00
200	1055-004-00