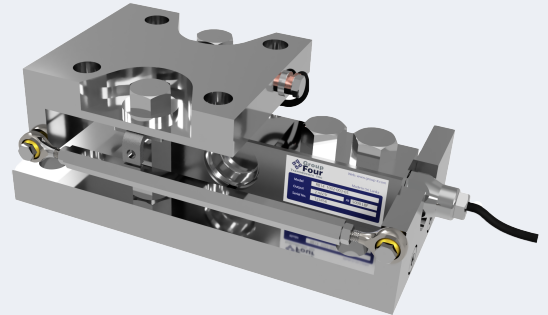


Made from stainless steel, this weigh module using a rocker pin design with uplift protection as well as the optional lateral/anti-sway protection, makes this an ideal solution for weighing tanks, bins and hoppers.



FEATURES

- Capacity range: 500lb to 5,000lb
- Stainless steel construction
- Environmental Protection IP69
- Designed for easy installation
- Low profile design
- Optional anti-sway design feature

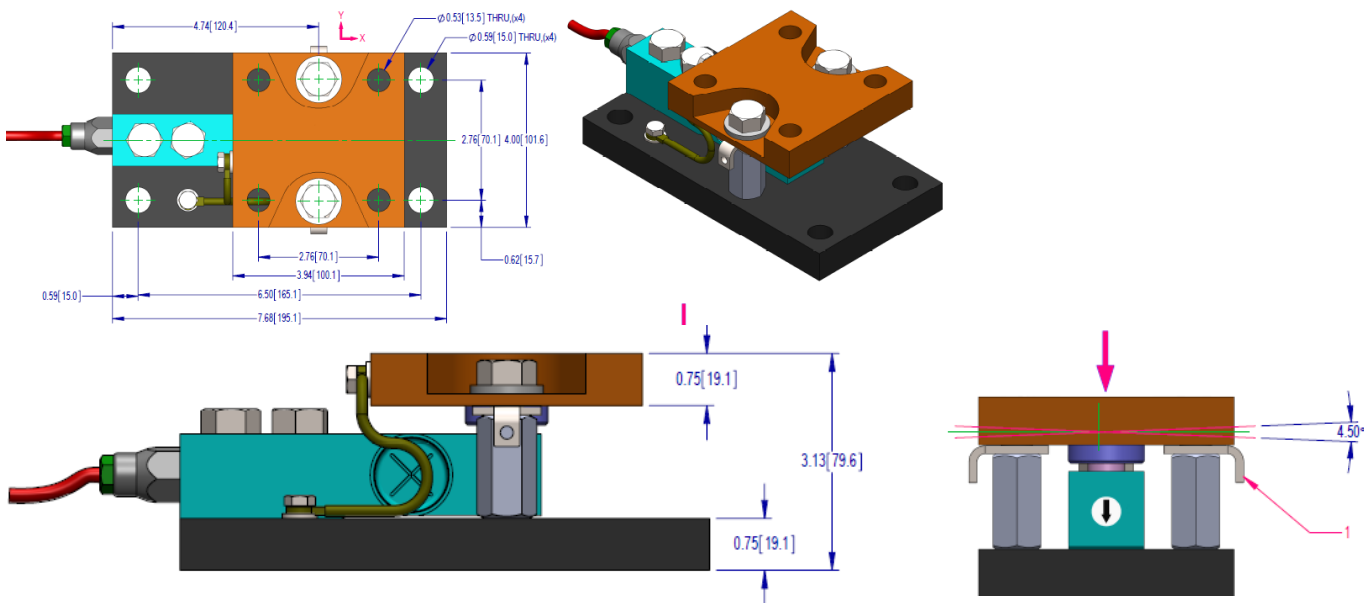
APPLICATIONS

- Primarily designed for use in hopper, mixer and platform scale applications

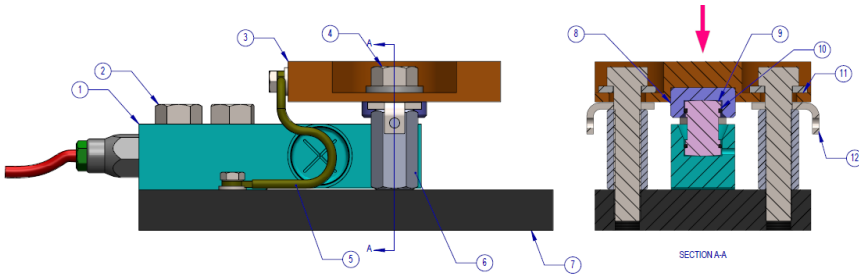
OPTIONS

- Check link with anti-sway protection

OUTLINE DIMENSIONS

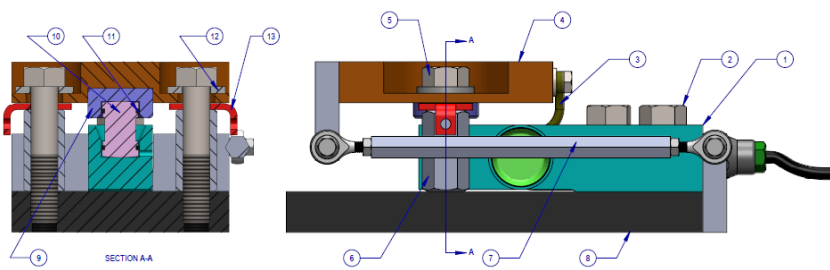
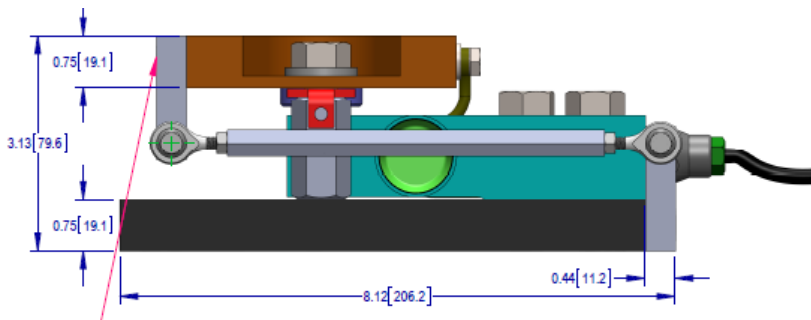
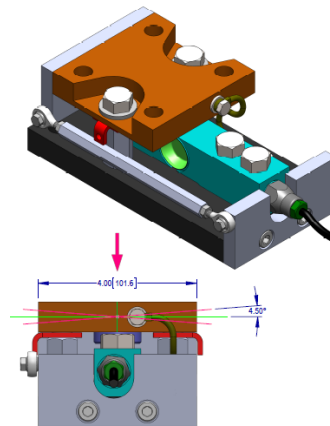
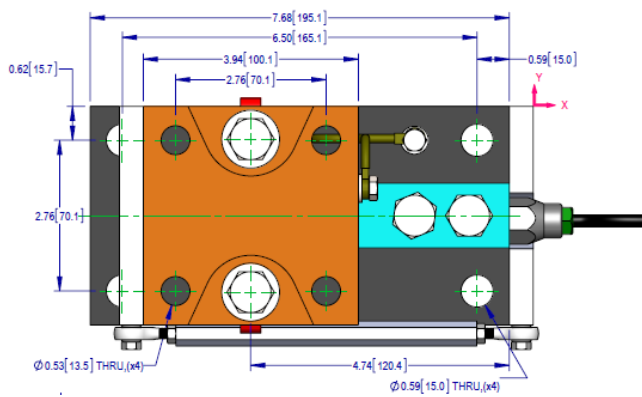


LOAD CELL CAPACITY(lb)	C1	C2	H	H1	H2	L	L1	L2	L3	L4	L5	W	W1
500, 1,000, 2,500, 5,000	0.59 [15.0]	0.53 [13.5]	2.99 [76.0]	0.71 [18.0]	0.67 [17.0]	7.68 [195.0]	4.65 [118.0]	2.76 [70.0]	3.94 [100.0]	0.59 [15.0]	6.50 [165.1]	3.94 [100.0]	2.76 [70.0]



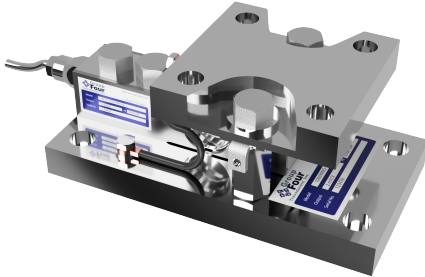
ITEM NO	DESCRIPTION	QUANTITY
1	2mV/V, HERMATICALLY SEALED(IP69) LOAD CELL (DR # 204098)	1
2	HBOLT 1/2-20x1.75x1.25-C	2
3	TOP PLATE	1
4	HBOLT 1/2-20x2.5x1.25-C (UPLIFT BOLT)	2
5	GROUNDING CABLE	1
6	HEX STAND-OFF (JAM NUT)	2
7	BOTTOM PLATE	1
8	LOAD CUP	1
9	ROCKER PIN	1
10	O-RING	1
11	1/2 FLAT WASHER	2
12	SHIPPING/INSTALLING STOPPER	2

OUTLINE DIMENSIONS (WITH CHECK LINK)

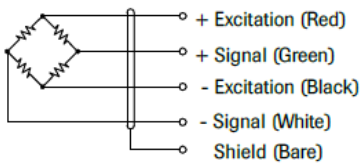


ITEM NO	DESCRIPTION	QUANTITY
1	2mV/V, HERMATICALLY SEALED(IP69) LOAD CELL (DR # 204098)	1
2	HBOLT 1/2-20x1.75x1.25-C	2
3	GROUNDING CABLE	1
4	TOP PLATE	1
5	HBOLT 1/2-20x2.5x1.25-C (UPLIFT BOLT)	2
6	HEX STAND-OFF (JAM NUT)	2
7	CHECK LINK	1
8	BOTTOM PLATE	1
9	LOAD CUP	1
10	ROCKER PIN	1
11	O-RING	1
12	1/2 FLAT WASHER	2
13	SHIPPING/INSTALLING STOPPER	2

weighing module
RB14-WM
1000WM5



WIRING



Cable :5.1mm dia. 4 Conductor cable.

SPECIFICATIONS

Model	1000WM5	
Accuracy Class	C3	
Capacities	klb	0.5, 1, 2.5, 5
Full Scale Output (FS)	mV/V	2.0± 0.002
Calibration in MV/V/Ω	%	≤±0.05
Combined Error	%FS	≤±0.03
Non-linearity	%FS	≤±0.017
Hysteresis	%FS	≤±0.017
Creep @30min	%FS	≤±0.017
Zero Balance	%FS	≤±5
Temperature Effect (output)	%FS/10C	≤±0.02
Temperature Effect (zero)	%FS/10C	≤±0.04
Temperature Range (compensated)	C	-10... +40
Temperature Range (operating)	C	-40... +80
Terminal Resistance (input)	Ω	1100 ±10
Terminal Resistance (output)	Ω	1000±2
Excitation Voltage	VDC	5...15
Insulation Resistance @50VDC	MΩ	>5000
Safe Overload Limit	%FS	200
Safe Side Load	%FS	100
Ultimate Load	%FS	300
Cable Length	Meter	3
Element Material	Stainless Steel	
Seal Type	IP69	

Note: The weigh module and the load cells will be shipped as separate units. We do not recommend installing the weigh module with the load cell installed. Weigh Module: mounting hardware only with stabilizer bar, stainless steel and suitable for load cell capacity up to 5000lbs.

PART NUMBERS

Capacity (klb)	Weigh Module	Load cell
0.5	1000WM5SB-000-00	1032-000-09
1.0	1000WM5SB-000-00	1032-001-09
2.5	1000WM5SB-000-00	1032-002-09
5.0	1000WM5SB-000-00	1032-003-09