

The LFS270 is a miniature s-beam load cell ideal for measuring tension or compression loads.



FEATURES

- Loads up to 200N (50lb).
- Miniature size.
- Up to 10 times the overload protection in both tension and compression.
- Light weight.
- Superior non linearity.

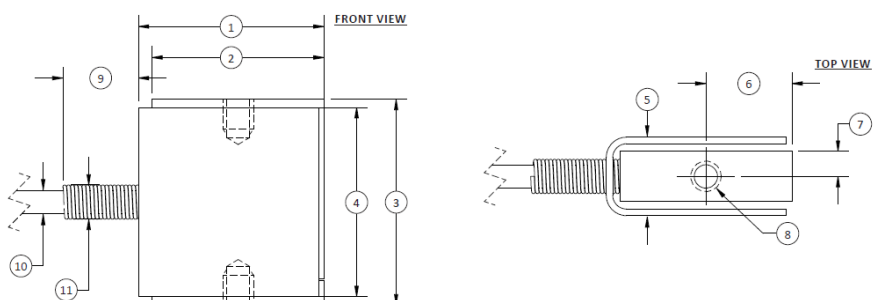
APPLICATIONS

- Robotic Leg Rehabilitation Devices
- Medical Guidewire Test
- Medical Bag Weighing
- DNA Synthesis
- Wire Tension Measurement
- Medical Behavioral Research Applications
- OEM Syringe Test Stand
- Trackpad/Touchpad Test Stands
- Robotic Glove Rehabilitation
- Precision Wire Tensioner

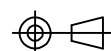
OPTIONS

- Ask about our popular options:
 - DAD141.1 Digital Amplifier
 - LAC65.1 Analog Amplifier
 - G4610 Indicators

OUTLINE DIMENSIONS



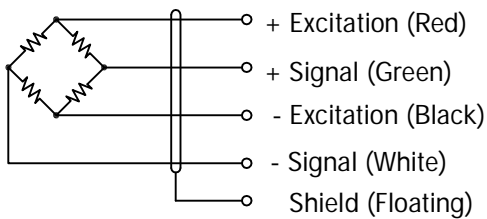
See Drawing	Metric (N) 20, 100, 200mm	Metric (N) 0.1, 0.2, 0.5, 1 (N)
1	17.3	17.5
2	16	16
3	19.1	19.1
4	17.5	16.5
5	7.3	16.7
6	8	8
7	2.3	2.35
8	M3x0.5-6H 2.8	
9	6.9	NA
10	Ø2.1	0.08/2.1
11	Ø3.3	NA



miniature s-beam LFS270 3020



WIRING



Cable: 29 AWG, 4 conductor, spiral shielded silicone cable.

SPECIFICATIONS

Model		LFS270	
Capacities	N	See table	
Full scale output (FS)	mV/V	See table	
Non-linearity	%FS	≤±0.1	
Hysteresis	%FS	≤±0.1	
Non-repeatability	%FS	≤±0.05	
Temperature effect			
	Output	%FS/°F	≤-0.1
	Zero	%FS/°F	≤-0.01
Temperature range			
	Compensated	°F	+15... +72
	Operating	°F	-55...200
Bridge resistance	Ω	See table	
Excitation voltage	VDC/ VAC	10(MAX)	
Insulation resistance @ 50V DC	MΩ	≥500	
Safe overload limit	1000%FS		
Ultimate load	%FS		
Cable length	ft	5	
Seal type	IP40		
Element material	Aluminum (0.1, 0.2, 0.5, 1.0, 2.0N), Alloy steel (100N & 200N)		

CAPACITIES AND PART NUMBERS

Capacity (lb)	Part Number	Element Material
.25	3020-000-00	2024-T351 Aluminum
.50	3020-001-00	
2	3020-002-00	
5	3020-003-00	
10	3020-004-00	
25	3021-000-00	Stainless Steel
50	3021-001-00	
100	3021-002-00	

Dimensions and specifications subject to change without notice



Pioneering Measured Solutions

Group Four Transducers
22 Deer Park Drive,
E. Longmeadow, MA 01028
www.groupfourtransducers.com

Phone : (800) 419 1444
Fax : (413) 525 -6182
sales@group-4.com