

The CBC (LPM 510) 5041 is subminiature compression button load cell for force and weight measurement. This load cell is uniquely designed to fit in very small places. Ideal for medical equipment applications which require an overall low profile but can still handle high range load capacities.



### FEATURES

- Capacities: 25, 50, 100, 250 & 500lbs
- Aluminum and stainless steel construction
- Environmental protection IP67

### APPLICATIONS

- Force & weight measurement

### OUTLINE DIMENSIONS

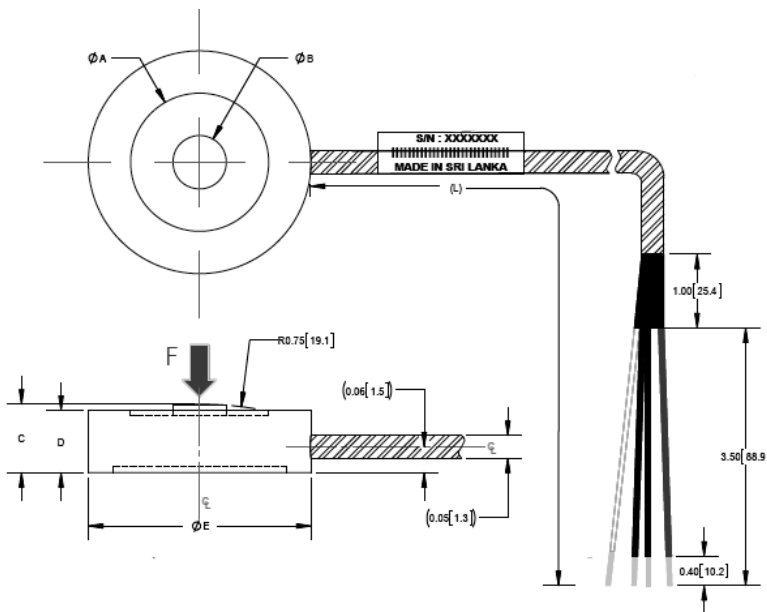


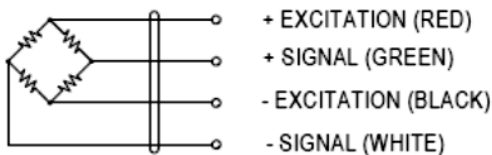
Table 01: Dimensions

Capacity	A	B	C	D	E
25	0.31 (7.9)	0.12 (3.0)	0.15 (3.9)	0.14 (3.6)	0.50 (12.7)
50					
100					
250					
500	0.63 (16.0)	0.20 (5.1)	0.25 (6.4)	0.24 (6.0)	0.70 (17.8)

## SPECIFICATIONS

Model	CBC	
Capacity	lb	25, 50, 100, 250, 500
Full Scale Output	mV/V	See table 02
Non Linearity	%FS	$\leq \pm 1.0$
Hysteresis	%FS	$\leq \pm 1.0$
Non-repeatability	%FS	$\leq \pm 0.05$
Zero Balance	%FS	$\leq \pm 5$
Temperature Range		
Compensated	°C	-10 ~ +40
Operating	°C	-20 ~ +65
Terminal Resistance		
Input	$\Omega$	350 $\pm$ 5
Output	$\Omega$	350 $\pm$ 5
Excitation Voltage	VDC	5 ~ 15
Insulation Resistance @50VDC	M $\Omega$	$\geq 5000$
Safe Overload Limit	%FS	150
Cable Length (L)	ft	5.5 <sup>+0.1</sup> <sub>-0</sub>
Cable Type	34 AWG 4 Conductor Outer Braided Shielded Cable	
Seal Type	IP67	
Element Material	See table 2	

## WIRING



## PART NUMBER

Capacity (lb)	Group Four Part Number	Full Scale Output (mV/V)	Element Material
25	5041-003-00	2.0 $\pm$ 15%	Aluminum
50	5041-004-00	1.0 $\pm$ 15%	Stainless Steel
100	5041-000-00	2.0 $\pm$ 15%	Stainless Steel
250	5041-001-00	2.0 $\pm$ 15%	Stainless Steel
500	5041-002-00	2.0 $\pm$ 15%	Stainless Steel

11.4.22