

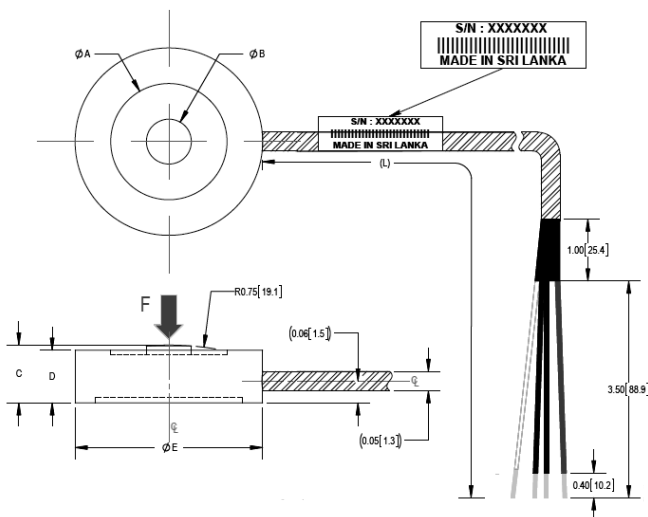
The LPM 510 (compression only) subminiature load cell is designed to measure load ranges from 10lb-500lb with a high frequency response rate.



**FEATURES**

- Tension/compression
- Wafer thin
- Up to 500lb
- High/low temperature option
- Capacity 10lb-500lb
- Optional bottom cable exit

**OUTLINE DIMENSIONS**

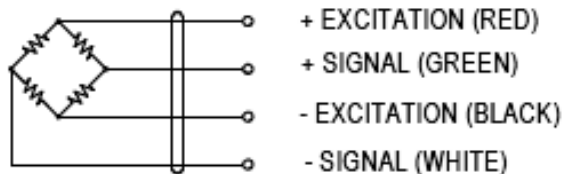


Capacity (lb)	A	B	C	D	E
10	0.31(7.9)	0.12(3.0)	0.15(3.9)	0.14(3.6)	0.50(12.7)
25					
50					
100					
250					
500	0.63(16.0)	0.20(5.1)	0.25(6.4)	0.24(6.0)	0.75(17.8)

## SPECIFICATIONS

Model	LPM 510	
Capacity	lb	10, 25, 50, 100, 250, 500
Full Scale Output	mV/V	See table 2
Non-Linearity	%FS	$\leq \pm 1.0$
Hysteresis	%FS	$\leq \pm 1.0$
Non-repeatability	%FS	$\leq \pm 0.5$
Zero Balance	%FS	$\leq \pm 10$
Temperature Range		
Compensated	°C	-10 ~ +40
Operating	°C	-20 ~ +65
Terminal Resistance	$\Omega$	See Table 2
Excitation Voltage	VDC	5 ~ 15
Insulation Resistance @50VDC	$M \Omega$	$\geq 5000$
Safe Overload Limit	%FS	150
Cable Length (L)	ft	5.5
Cable Type	34 AWG 4 Conductor Outer Braided Shielded Cable	
Seal Type	IP67	
Element Material	See Table 2	

## PIN CONFIGURATION



## PART NUMBER

Capacity	Part Number	Full Scale Output (mV/V)	Terminal Resistance		Element Material
			Input	Output	
10lb	5041-003-00	1-3 mV/V	350±5	350±5	Aluminum
25lb	5041-004-00	1-3 mV/V			
50lb	5041-005-00	1-3 mV/V			
100lb	5041-000-00	1-3 mV/V			
250lb	5041-001-00	1-3 mV/V			
500lb	5041-002-00	2.0±15%	700±5	700±5	Stainless Steel