

The SSA pancake is a low profile, shear spoke load cell ideal for measuring tension and compression forces where high accuracy and excellent side rejection is required. This load cell is shipped with a base plate which helps ensure the highest accuracy possible in many applications.



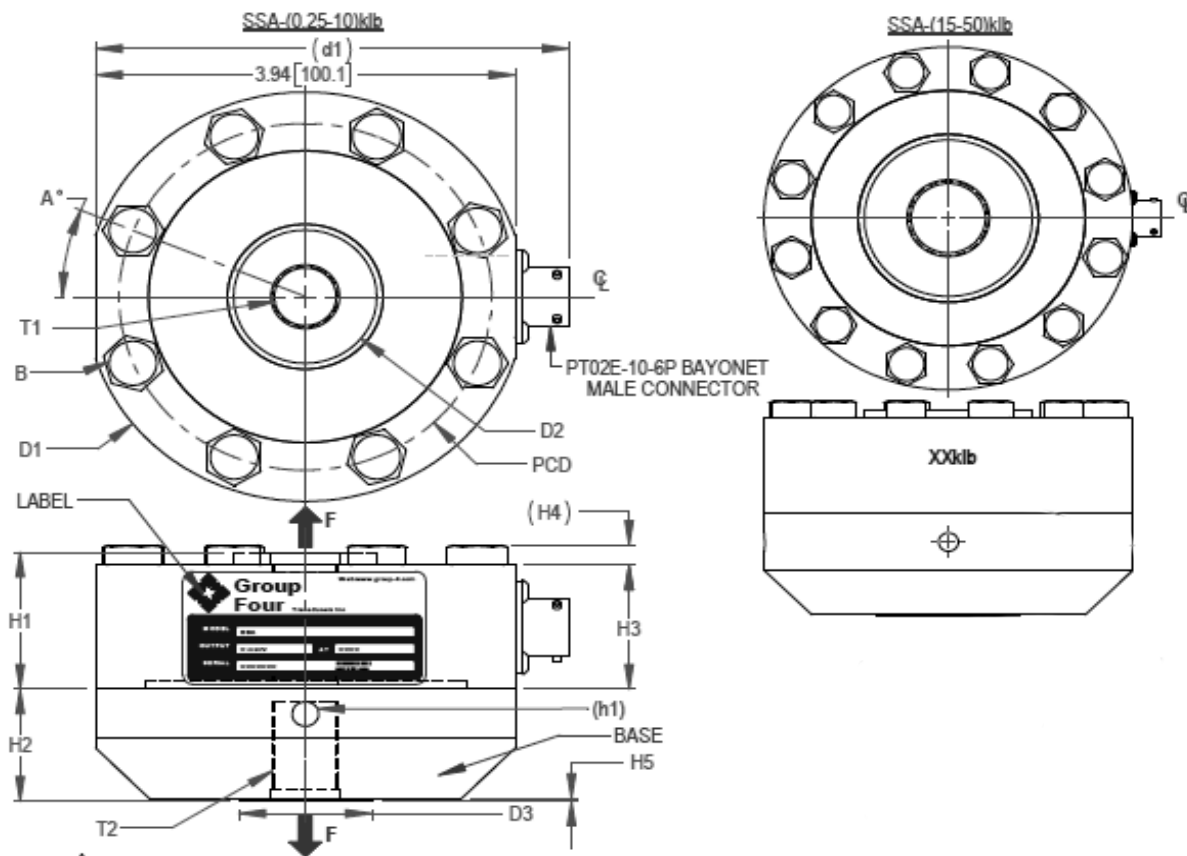
### FEATURES

- Capacity (klb): .25, .5, 1, 2, 2.5, 3, 5, 10, 15, 20, 25, 50
- Environmental protection IP67
- Aluminium & Stainless Steel

### APPLICATIONS

- Calibration grade load cell
- Ultra precision tension/compression testing
- Ideal for test stands where precision performance required
- Aircraft or automotive component testing

### OUTLINE DIMENSIONS

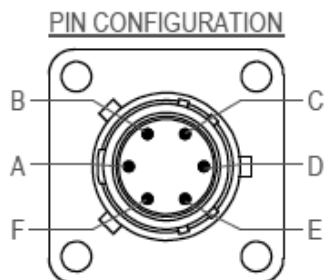


## SPECIFICATIONS

Model	SSA	
Capacity	LB	See table 02
Full Scale Output (FS)	mV/V	See table 03
Zero Balance	%FS	$\leq \pm 1$
Non-Linearity	%FS	$\leq \pm 0.03$
Hysteresis	See table 03	
Creep @ 30min	%FS	$\leq \pm 0.02$
Non Repeatability	%FS	$\leq \pm 0.01$
Temperature Effect		
Output	%FS/10°C	$\leq \pm 0.04$
Zero	%FS/ 10°C	$\leq \pm 0.04$
Temperature Range		
Compensated	°C	-10 ~ +40
Operating	°C	-20 ~ +65
Terminal Resistance		
Input	$\Omega$	386±30
Output	$\Omega$	350±5
Excitation Voltage	VDC	5...15
Insulation Resistance @50VDC	M $\Omega$	$\geq 5000$
Safe Overload Limit	%FS	150
Ultimate Load	%FS	200
Seal Type	IP67	
Element Material	See table 02	

**Table 03**

Capacity (klb)	Full Scale Output (mV/V)	Hysteresis (%FS)
0.25	1.0±0.02%	≤±0.02
.5		
1		
2		
2.5	2.0±0.03%	≤±0.04
3		
5		
10		
15	2.0±0.035%	
20		
25		
50		

**WIRING GRAPHIC****Table 01**

Pin No	Connection	Color
A	Excitation +	Red
B	Signal +	Green
C	Signal -	Black
D	Excitation -	White
E	N/C	
F	N/C	

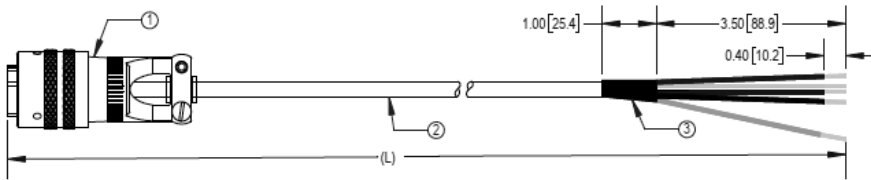
**PART NUMBER****Table 02**

Capacity (klb)	Part Number	Material	D1 Ø	D2 Ø	D3 Ø	H1	H2	H3	H4	H5	d1	h1	T1	T2	B	A	PCD Ø
0.25	5065-000-00	Aluminium	4.13 (104.9)	1.34 (34.0)	1.25 (31.8)	1.38 (35.1)	1.13 (28.7)	1.25 (31.8)	0.20 (5.2)	0.03 (0.8)	4.44 (112.8)	Ø0.25 (6.4)	5/8-18 UNF THRU	5/8-18 UNF 0.87 (22.1)	5/16- 18 8X BOLTS	22.5	3.500 (88.90)
.5	5065-001-00																
1	5065-002-00																
2	5065-003-00																
2.5	5061-000-00	Stainless Steel	5.83 (148.0)	2.65 (67.3)	2.25 (57.2)	1.75 (44.5)	1.75 (44.5)	1.63 (41.4)	0.28 (7.1)		6.8 (162.1)	0.31 (8.0) 0.50 (12.7)	1-1/4- 12 UNF THRU	1-1/4-12 UNF 1.40 (35.56)	7/16-20 12X BOLTS	15	5.130 (130.30)
3	5061-002-00																
5	5061-001-00																
10	5061-003-00																
15	5061-004-00																
20	5061-005-00																
25	5061-006-00																
50	5061-007-00																

## OPTIONS

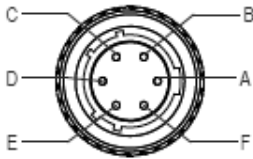
- SSA (0.25-50)klb mating cable accessories

### Cable Dimensions



### Cable PIN

PT06E-10-6S CONNECTOR  
CONFIGURATION



Pin No	Connection	Color
A	Excitation +	Red
B	Signal +	Green
C	Signal -	Black
D	Excitation -	White
E	N/C	-
F	N/C	-
-	Shield	Yellow

### Cable Part Number

Item No	Description	Part Number
1	6 Position circular connector plug, female sockets solder cup	PT06E-10-6S (SR)
2	24 AWG 4 core shielded black-TPM cable	214269-SSA Mating Cable
3	Black color shrink tube	