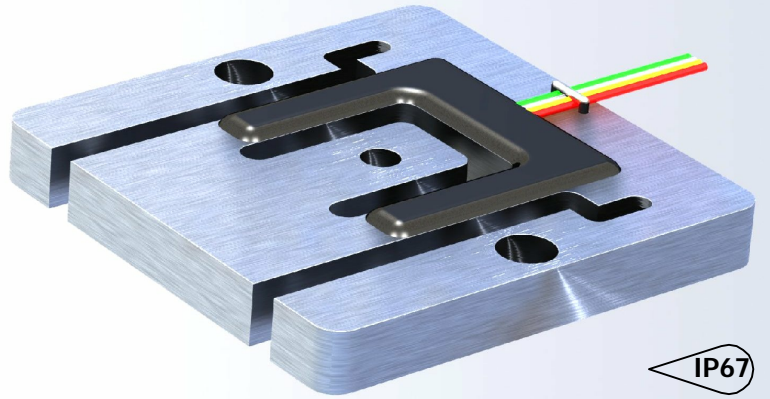


The type 6002 is a very low profile planar beam load cell. Load cell installation is simplified by the winged mounting arms providing optimum load cell performance in all types of scale structure.



### FEATURES

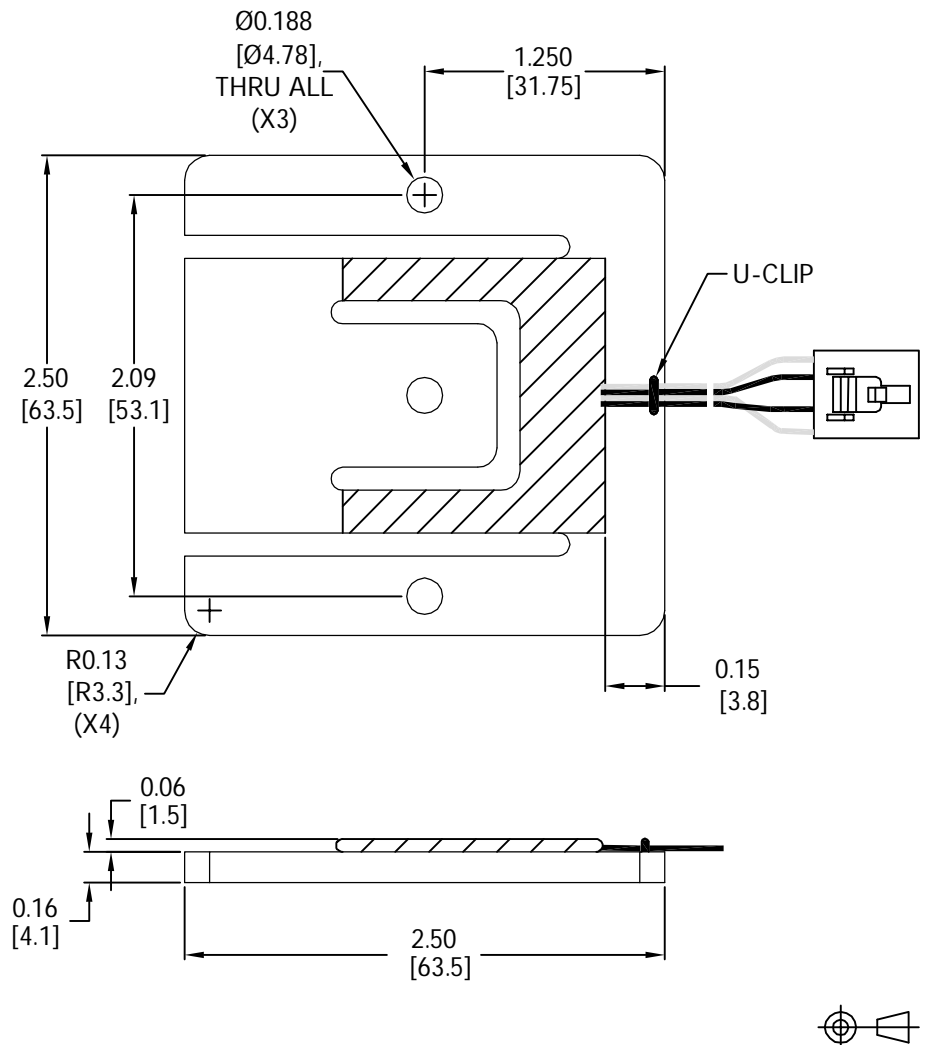
- Capacities 37.5lb, 75lb and 200lb.
- Aluminum construction.
- Environmental protection IP67.
- Very low profile design.

### APPLICATIONS

- Compact scales, bench and floor scales, retail and counting scales, special applications in medical and other areas.

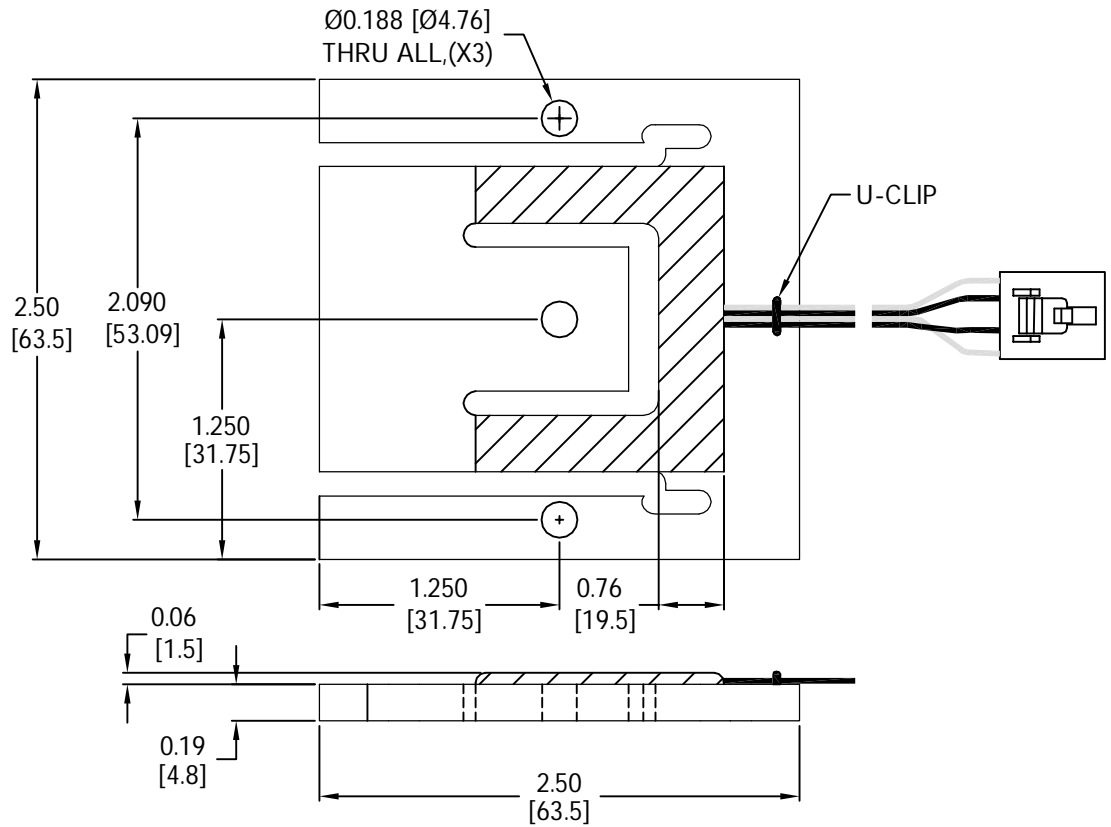
### OUTLINE DIMENSIONS

Capacity 37.5lb :

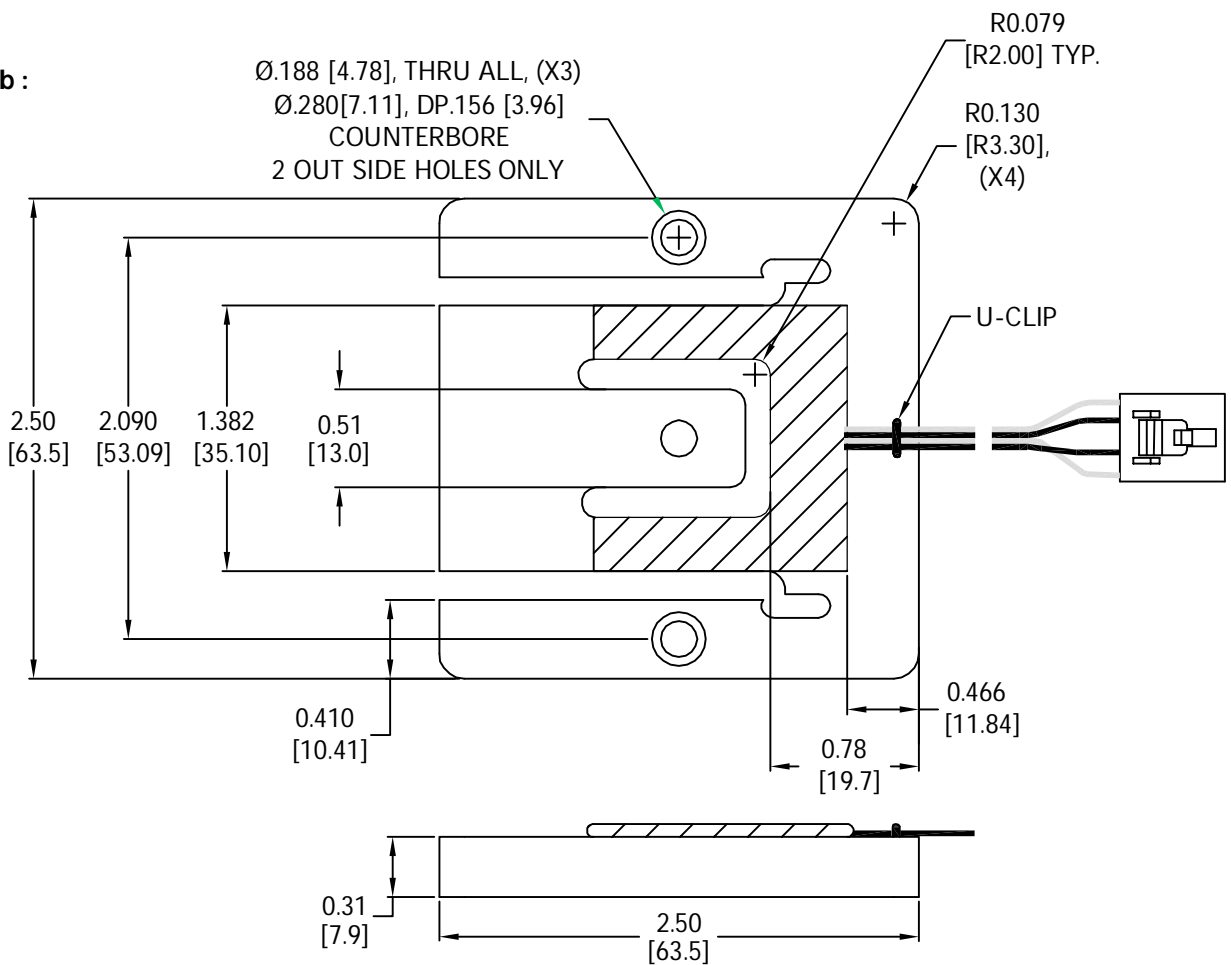


planar beam  
**WMB  
 6002**

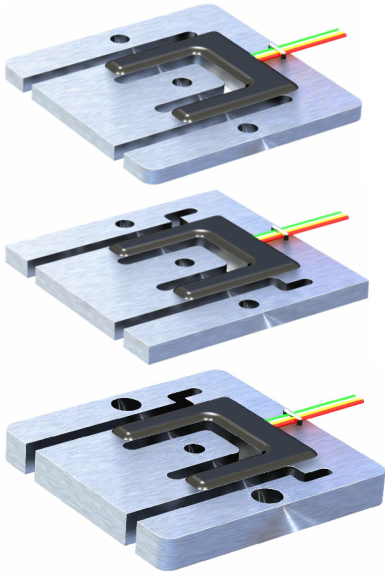
Capacity 75lb :



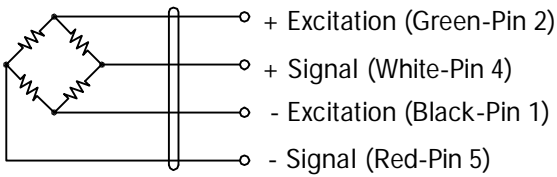
Capacity 200lb :



planar beam  
**WMB**  
**6002**

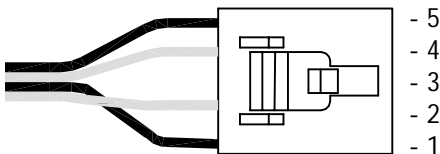


**WIRING**



Cable : 26AWG Color coded ribbon cable.  
Connector : AMP#5-103957-4.

Pin configuration:



Note:

When a quantity of four 37.5 pound loadcells are assembled into a 68.04 kg x 0.02 kg (3402 division) load receiving element, and the load receiving element is tested to the requirements set forth in the current "NIST handbook 44", the load receiving element shall meet class iii acceptance tolerances for separate main elements.

The 75 lb capacity is manufactured such that when a quantity of four units is assembled into a 113.40 kg x 0.02 kg scale, the scale will meet class iii acceptance tolerances when tested in accordance to NIST handbook 44

**SPECIFICATIONS**

Model	WMB			
Capacities	lb	37.5	75	200
Full scale output (FS)	mV/V	0.9±0.1%		
Calibration in mV/V/Ω	%	≤±0.05		
Combined error	%FS	≤±0.02		
Non-linearity	%FS	0- 0.015	≤±0.02	-
Hysteresis	%FS	≤±0.015	≤±0.02	-
Non- repeatability	%FS	≤±0.01		
Creep @ 20min	%FS	≤±0.03		
Zero balance	mV/V	≤±0.3	≤±0.045	≤±0.3
Temperature effect				
	Output	%FS/10°C	≤±0.04	
	Zero	%FS/10°C	≤±0.04	
Temperature range				
	Compensated	°C	-10... +40	
	Operating	°C	-10... +65	
Terminal resistance				
	Input resistance	Ω	1179±40	1178±10 1178±5
	Output resistance	Ω	1000±5	1000±5 1000±5
Excitation voltage	VDC	5... 15		
Insulation resistance @ 50V DC	MΩ	≥5000		
Safe overload limit	%FS	150	200	
Ultimate load	%FS	300		
Cable length	in	10	20	10
Seal type	IP67			
Element material	Aluminum			

Dimensions and specifications subject to change without notice



**"WE TAKE THE LOAD OFF YOUR MIND"**

**Group Four Transducers**  
22 Deer Park Drive,  
E. Longmeadow, MA 01028  
www.groupfourtransducers.com

Phone : (800) 419 1444  
Fax : (413) 525 -6182  
sales@group-4.com