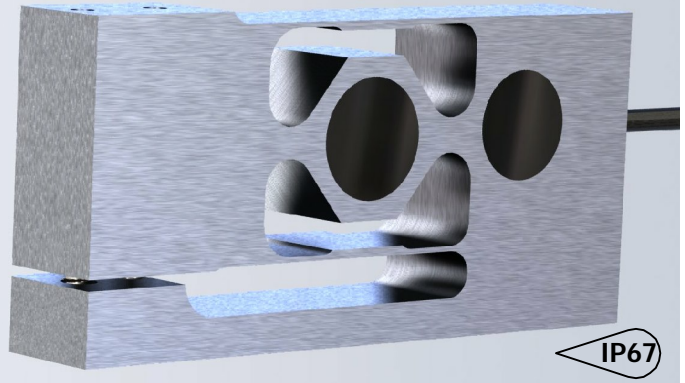


The 4027 series is designed for light and medium applications and is designed specifically to give a very fast response time. The high natural frequency makes it perfect for precision filling and check weighing applications. The capacities offered are from 1 kg up to 90 kg. The IP67 moisture rating makes it suitable for a semi-wet environment. The bi-directional, integral overload stop gives this load cell positive overload protection in both tension and compression protecting it from operator abuse.



### FEATURES

- Capacities from 1kg to 90kg.
- Aluminum construction.
- Environmental protection IP67.
- High natural frequency, Fast response time.
- Integral tension and compression over load stop.

### APPLICATIONS

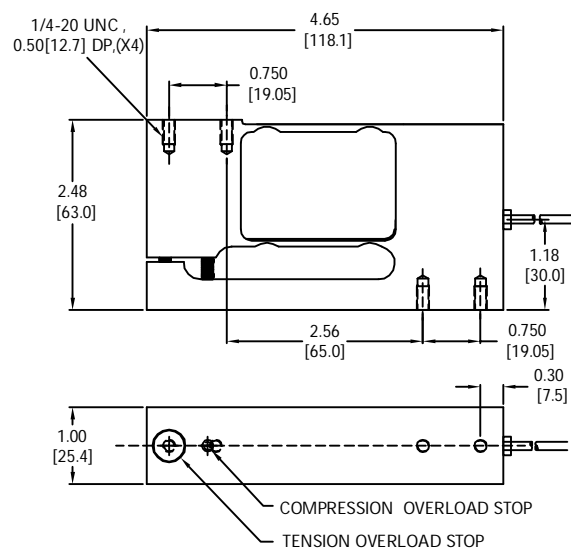
- High precision filling, packaging and check weighing machines.

### OPTIONS

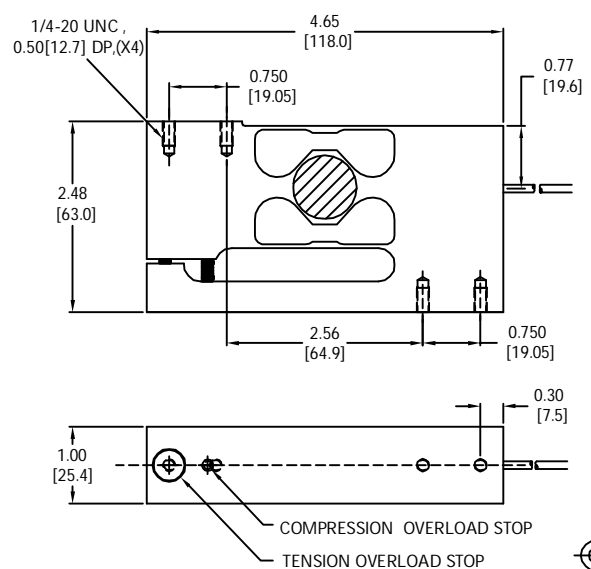
- mV/V/Ohm calibration matching.
- Voltage output.
- Digital serial output.

### OUTLINE DIMENSIONS

1-5kg Capacities :

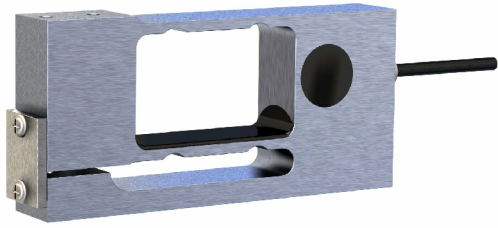


10-90kg Capacities :

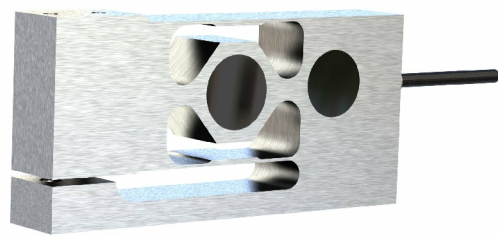


# single point SP14 4027

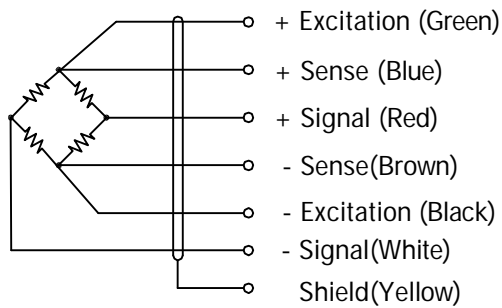
1-5kg :



10-90kg :



## WIRING



Cable : 24 AWG, 6-Conductor shielded cable.

## SPECIFICATIONS

Model	4027		
Accuracy class	C3		
Capacities	kg	1/ 2/ 5	10/ 15/ 20/ 30/ 50/ 90
Full scale output(FS)	mV/V	2.0±10%	2.0±10%
Combined error	%FS	≤±0.030	≤±0.020
Creep@30min	%FS	≤±0.030	≤±0.017
OCLS			
	Max.platform size	mm	400x400    400x400
	OCLS Error	%FS/cm	≤±0.0049    ≤±0.0049
Zero balance	%FS	±10	±10
Temperature effect			
	Output	%FS/°C	≤±0.001    ≤±0.001
	Zero	%FS/°C	≤±0.004    ≤±0.004
Temperature range			
	Compensated	°C	-10... +40    -10... +40
	Operating	°C	-30... +70    -30... +70
Terminal resistance			
	Input resistance	Ω	386±10    386±10
	Output resistance	Ω	350±5    350±5
Excitation voltage	VDC	10... 15	10... 15
Insulation resistance@50VDC	MΩ	≥5000	≥5000
Safe overload limit	%FS	150	150
Ultimate load	%FS	300	300
Cable length	m	1	1
Seal type	IP67		
Element material	Anodized Aluminum		

Dimensions and specifications subject to change without notice



**Group Four**  
A PARASOL COMPANY

"WE TAKE THE LOAD OFF YOUR MIND"

### Group Four Transducers

22 Deer Park Drive,  
E. Longmeadow, MA 01028  
www.groupfourtransducers.com

Phone : (800) 419 1444  
Fax : (413) 525 -6182  
sales@group-4.com