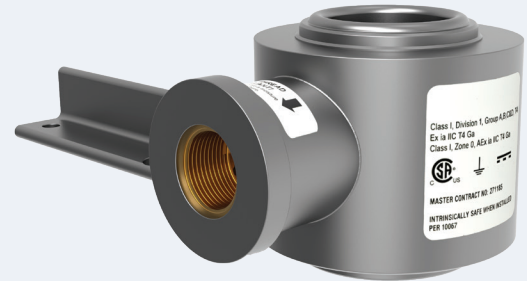


The type SRWF is a rugged, stainless steel, hermetically sealed, sucker rod load cell. It is a perfect fit for pump off control systems.



FEATURES

- Capacities from 30klb to 80klb.
- Stainless steel construction.
- Environmental protection IP69 with complete hermetic sealing.
- Sealing level is verified by 100% Helium leak test (back filled with nitrogen).
- Industry standard form factor with molex connector.

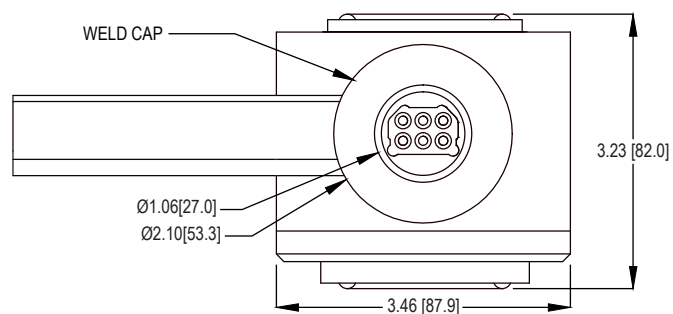
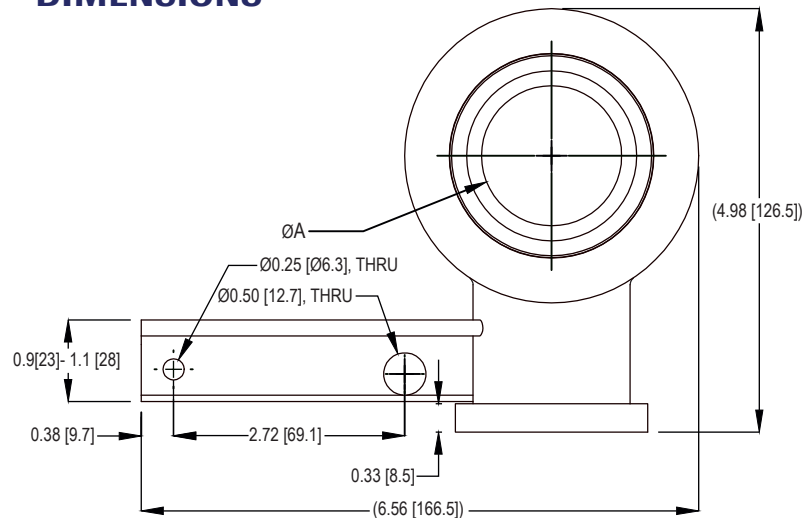
APPLICATIONS

- Pump off control systems.

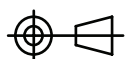
OPTIONS

- Lightning protection.
- Spherical washer load introduction kit.

DIMENSIONS

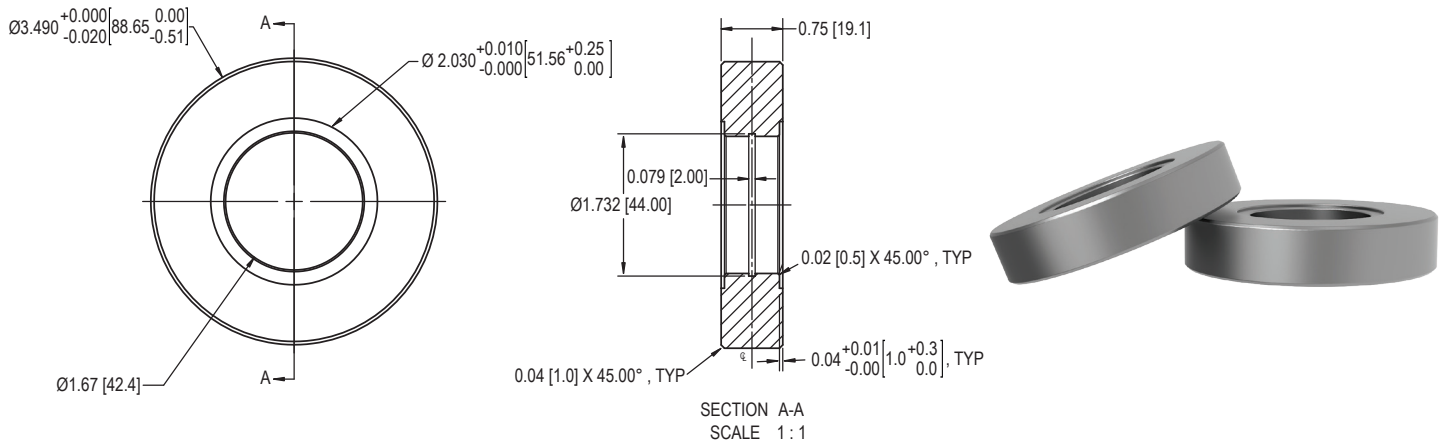


Capacity	ØA.
30klb	1.650[41.91]
50klb	1.625[41.28]
50klb Special	1.880[47.75]
80klb Special	1.650[41.91]

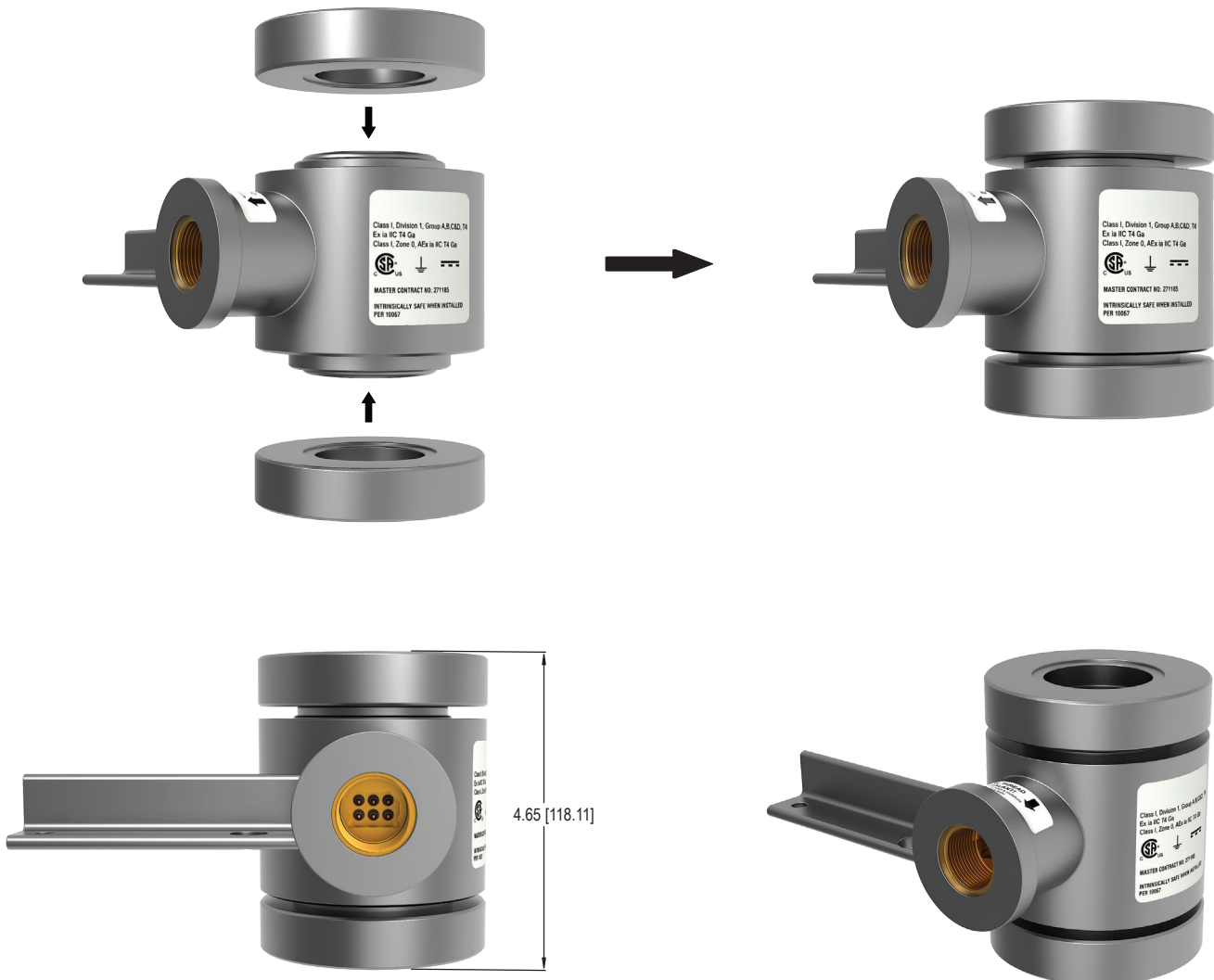


DIMENSIONS UNITS : INCH[MM]

Bearing Plate :

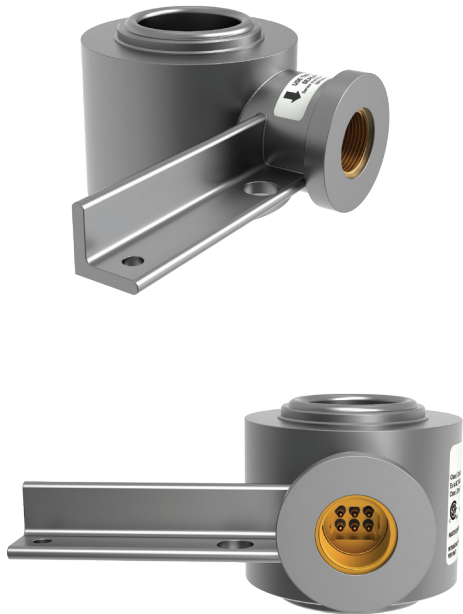


Assembly with Bearing Plate :



specialty sensors

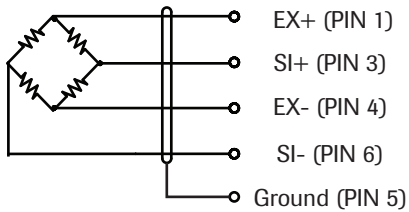
8025 SRWF



SPECIFICATIONS

Model		SRWF	
Capacities		See table	
Full scale output (FS)	mV/V	2.0±0.5%	
Combined error	%FS	≤±0.05	
Zero balance	%FS	≤±5	
Temperature effect			
	Output	%FS/10 °C	≤±0.02
	Zero	%FS/10 °C	≤±0.04
Temperature range			
	Compensated	°C	-10 ~ + 40
	Operating	°C	-20 ~ + 60
Terminal resistance			
	Input resistance	Ω	725±145
	Output resistance	Ω	700±50
Excitation voltage	VDC	5...12	
Insulation resistance @ 50V DC	MΩ	≥2000	
Safe overload limit	%FS	150	
Seal type	IP69		
Element material	Stainless steel		

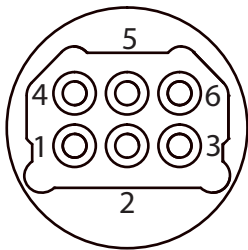
WIRING



PART NUMBERS

Capacity	Load cell P/N.	Assembly P/N.
30klb	8025-000-00	8025-000-04
50klb	8025-002-00	8025-001-04
50klb Special	8025-000-07	8025-000-08
80klb Special	8025-001-07	8025-001-08

PIN CONFIGURATION



Cable entry thread type : NPT-3/4



"WE TAKE THE LOAD OFF YOUR MIND"

Group Four Transducers
22 Deer Park Drive
E. Longmeadow, MA 01028
www.groupfourtransducers.com

Phone: (800) 419-1444
Fax: (413) 525-6182
sales@group-4.com